

Service Manual

PS110/N1S

AV Surround Amplifier

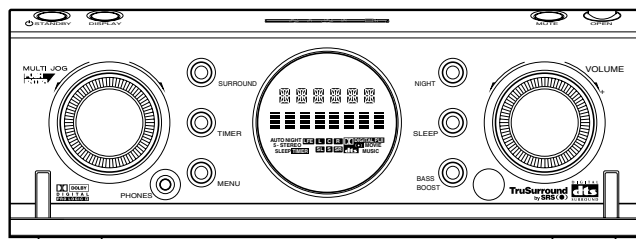
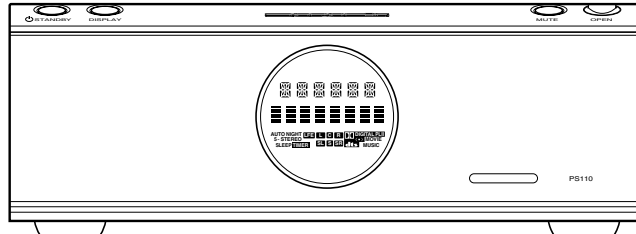


TABLE OF CONTENTS

SECTION	PAGE
1. TECHNICAL SPECIFICATIONS	1
2. WIRING DIAGRAM	3
3. BLOCK DIAGRAM	5
4. SCHEMATIC DIAGRAM	7
5. PARTS LOCATION	13
6. IC DATA	18
7. EXPLODED VIEW AND PARTS LIST	25
8. SERVICE PROCEDURE	29
9. ELECTRICAL PARTS LIST	30

Please use this service manual with referring to the user guide (D.F.U.) without fail.

修理の際は、必ず取扱説明書を準備し操作方法を確認の上作業を行ってください。

marantz®

PS110

MARANTZ DESIGN AND SERVICE

Using superior design and selected high grade components, **MARANTZ** company has created the ultimate in stereo sound. Only original **MARANTZ** parts can insure that your **MARANTZ** product will continue to perform to the specifications for which it is famous.

Parts for your **MARANTZ** equipment are generally available to our National Marantz Subsidiary or Agent.

ORDERING PARTS :

Parts can be ordered either by mail or by Fax.. In both cases, the correct part number has to be specified.

The following information must be supplied to eliminate delays in processing your order :

1. Complete address
2. Complete part numbers and quantities required
3. Description of parts
4. Model number for which part is required
5. Way of shipment
6. Signature : any order form or Fax. must be signed, otherwise such part order will be considered as null and void.

USA

MARANTZ AMERICA, INC
1100 MAPLEWOOD DRIVE
ITASCA, IL. 60143
USA
PHONE : 630 - 741 - 0300
FAX : 630 - 741 - 0301

EUROPE / TRADING

MARANTZ EUROPE B.V.
P. O. BOX 8744, BUILDING SILVERPOINT
BEEMDSTRAAT 11, 5653 MA EINDHOVEN
THE NETHERLANDS
PHONE : +31 - 40 - 2507844
FAX : +31 - 40 - 2507860

CANADA

LENBROOK INDUSTRIES LIMITED
633 GRANITE COURT,
PICKERING, ONTARIO L1W 3K1
CANADA
PHONE : 905 - 831 - 6333
FAX : 905 - 831 - 6936

PROFESSIONAL AMERICAS

SUPERSCOPE TECHNOLOGIES, INC.
MARANTZ PROFESSIONAL PRODUCTS
2640 WHITE OAK CIRCLE, SUITE A
AURORA, ILLINOIS 60504 USA
PHONE : 630 - 820 - 4800
FAX : 630 - 820 - 8103

PROFESSIONAL AUSTRALIA

TECHNICAL AUDIO GROUP PTY, LTD
43-53 Bridge Rd.,
STANMORE NSW 2048
AUSTRALIA
PHONE : +61 - (0)2 - 9519 - 0900
FAX : +61 - (0)2 - 9519 - 0600

PROFESSIONAL HONG KONG

Jolly ProAudio Broadcast Engineering Ltd.
UNIT 2, 10F, WAH HUNG CENTRE,
41 HUNG TO ROAD, KWUN TONG, KLN.,
HONG KONG
PHONE : 852 - 21913660
FAX : 852 - 21913990

AUSTRALIA

QualiFi Pty Ltd,
24 LIONEL ROAD,
MT. WAVERLEY VIC 3149
AUSTRALIA
PHONE : +61 - (0)3 - 9543 - 1522
FAX : +61 - (0)3 - 9543 - 3677

THAILAND

MRZ STANDARD CO., LTD
746 - 754 MAHACHAI ROAD.,
WANGBURAPAPIROM, PHRANAKORN,
BANGKOK, 10200 THAILAND
PHONE : +66 - 2 - 222 9181
FAX : +66 - 2 - 224 6795

SINGAPORE

WO KEE HONG DISTRIBUTION PTE LTD
130 JOO SENG ROAD
#03-02 OLIVINE BUILDING
SINGAPORE 368357
PHONE : +65 6858 5535 / +65 6381 8621
FAX : +65 6858 6078

NEW ZEALAND

WILDASH AUDIO SYSTEMS NZ
14 MALVERN ROAD MT ALBERT
AUCKLAND NEW ZEALAND
PHONE : +64 - 9 - 8451958
FAX : +64 - 9 - 8463554

TAIWAN

PAI- YUING CO., LTD.
6 TH FL NO, 148 SUNG KIANG ROAD,
TAIPEI, 10429, TAIWAN R.O.C.
PHONE : +886 - 2 - 25221304
FAX : +886 - 2 - 25630415

MALAYSIA

WO KEE HONG ELECTRONICS SDN. BHD.
2ND FLOOR BANGUNAN INFINITE CENTRE
LOT 1, JALAN 13/6, 46200 PETALING JAYA
SELANGOR DARUL EHSAN, MALAYSIA
PHONE : +60 - 3 - 7954 8088
FAX : +60 - 3 - 7954 7088

JAPAN Technical

MARANTZ JAPAN, INC.
35- 1, 7- CHOME, SAGAMIONO
SAGAMIHARA - SHI, KANAGAWA
JAPAN 228-8505
PHONE : +81 42 748 1013
FAX : +81 42 741 9190

日本マランツ株式会社

本社 〒228-8505
神奈川県相模原市相模大野7-35-1

KOREA

MK ENTERPRISES LTD.
ROOM 604/605, ELECTRO-OFFICETEL, 16-58,
3GA, HANGANG-RO, YONGSAN-KU, SEOUL
KOREA
PHONE : +822 - 3232 - 155
FAX : +822 - 3232 - 154

SHOCK, FIRE HAZARD SERVICE TEST :

CAUTION : After servicing this appliance and prior to returning to customer, measure the resistance between either primary AC cord connector pins (with unit NOT connected to AC mains and its Power switch ON), and the face or Front Panel of product and controls and chassis bottom.

Any resistance measurement less than 1 Megohms should cause unit to be repaired or corrected before AC power is applied, and verified before it is return to the user/customer.

Ref. UL Standard No. 1492.

In case of difficulties, do not hesitate to contact the Technical Department at above mentioned address.

1. TECHNICAL SPECIFICATIONS

AUDIO SECTION

THD 10 % 6 Ω	50W / Ch
THD 10 % 8 Ω	40W / Ch
THD 1 % 6 Ω	40W / Ch
THD 1 % 8 Ω	30W / Ch
Continuous Power Output (40 Hz - 20 kHz)	6 Ω 30W / Ch
THD (1 kHz) at 30 W output	6 Ω 0.5 %
Input Sensitivity	
Linear	340 mV
Signal to Noise Ratio with 20K filter	
Linear (1 W)	80 dB

GENERAL

Power Requirement	AC 230 V 50 Hz
Power Consumption (STEREO MODE RATED POWER)	53 W
Dimension (MAX)	
Width	210 mm
Height	71.5 mm
Depth	310 mm
Weight	2.6 Kg

ACCESSORIES

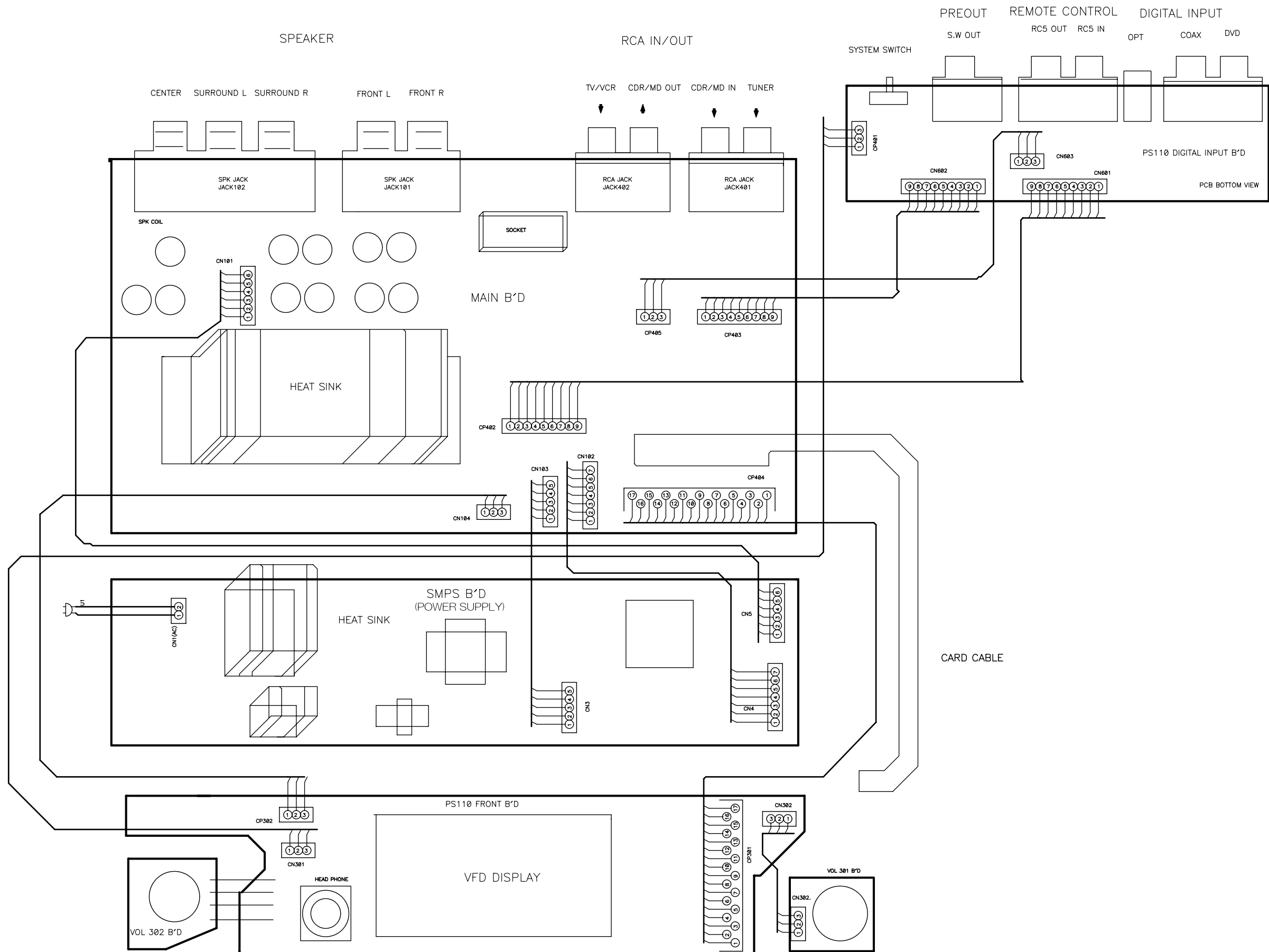
Remote Control Unit (RC110PS)	1
AAA Type Batteries	2
Registration Card	1
User's Guide	1

The relation between the selected surround mode and the input signal

The surround mode is selected with the surround mode knob on PS110 or the remote control unit. However, the sound you hear is subject to the relationship between the selected surround mode and input signal. That relationship is as follows;

Surround Mode	Input Signal	Output				Fluorescent Indicator			
		L/R	SU/SR	C	SW	Surround mode	Dot Area display	14 segment area display	Ch. Status
Auto	DOLBY Digital (5.1ch)	○	○	○	○	AUTO, DD , DIGITAL,	AUTO → DD 3/2.1	BLANK → Function name	L, C, R, SL, SR, LFE
	DOLBY Digital (2ch)	○	○	○	○	AUTO, DD , PLII Movie (Music)	AUTO → DD 2/0	BLANK → Function name	L, R
	DOLBY Digital (2ch:Lt/Rt)	○	○	○	○	AUTO, DD , PLII Movie (Music)	AUTO → DD 2/1	BLANK → Function name	L, R, S
	96kHz PCM	○	-	-	-	AUTO, STEREO	AUTO → 96k PCM	BLANK → Function name	L, R
	PCM(Audio)	○	○	○	○	AUTO, DD , PLII Movie (Music)	AUTO → PCM	BLANK → Function name	L, R
	DTS (5.1ch)	○	○	○	○	AUTO,DTS	AUTO → DTS3/2.1	BLANK → Function name	L, C, R, SL, SR, LFE
	No input signal	-	-	-	-	AUTO	AUTO → NO DATA	BLANK → Function name	-
Stereo	DOLBY Digital (5.1ch)	○	-	-	○	STEREO	STEREO → DD 3/2.1	BLANK → Function name	L, C, R, SL, SR, LFE
	DOLBY Digital (2ch)	○	-	-	○	STEREO	STEREO → DD 2/0	BLANK → Function name	L, R
	DOLBY Digital (2ch:Lt/Rt)	○	-	-	○	STEREO	STEREO → DD 2/1	BLANK → Function name	L, R, S
	96kHz PCM	○	-	-	-	STEREO	STEREO → 96k PCM	BLANK → Function name	L, R
	PCM(Audio)	○	-	-	○	STEREO	STEREO → PCM	BLANK → Function name	L, R
	DTS (5.1ch)	○	-	-	○	STEREO	STEREO → DTS3/2.1	BLANK → Function name	L, C, R, SL, SR, LFE
	No input signal	-	-	-	-	STEREO	STEREO → NO DATA	BLANK → Function name	-
DOLBY (PLII Movie)	DOLBY Digital (5.1ch)	○	○	○	○	DD DIGITAL	PL II MOVIE → DD 3/2.1	DOLBY → Function name	L, C, R, SL, SR, LFE
	DOLBY Digital (2ch)	○	○	○	○	DD , PLII, Movie	PL II MOVIE → DD 2/0	DOLBY → Function name	L, R
	DOLBY Digital (2ch:Lt/Rt)	○	○	○	○	DD , PLII, Movie	PL II MOVIE → DD 2/1	DOLBY → Function name	L, R, S
	96kHz PCM	-	-	-	-	DD , PLII, Movie	PL II MOVIE → "96k" PCM	DOLBY → Function name	-
	PCM(Audio)	○	○	○	○	DD , PLII, Movie	PL II MOVIE → PCM	DOLBY → Function name	L, R
	DTS (5.1ch)	-	-	-	-	DD , PLII, Movie	PL II MOVIE → "DTS"3/2.1	DOLBY → Function name	-
	No input signal	-	-	-	-	DD , PLII, Movie	PL II MOVIE → NO DATA	DOLBY → Function name	-
DOLBY (PLII Music)	DOLBY Digital (5.1ch)	○	○	○	○	DD DIGITAL	PL II MUSIC → DD 3/2.1	DOLBY → Function name	L, C, R, SL, SR, LFE
	DOLBY Digital (2ch)	○	○	○	○	DD , PLII, Music	PL II MUSIC → DD 2/0	DOLBY → Function name	L, R
	DOLBY Digital (2ch:Lt/Rt)	○	○	○	○	DD , PLII, Music	PL II MUSIC → DD 2/1	DOLBY → Function name	L, R, S
	96kHz PCM	-	-	-	-	DD , PLII, Music	PL II MUSIC → "96k" PCM	DOLBY → Function name	-
	PCM(Audio)	○	○	○	○	DD , PLII, Music	PL II MUSIC → PCM	DOLBY → Function name	L, R
	DTS (5.1ch)	-	-	-	-	DD , PLII, Music	PL II MUSIC → "DTS"3/2.1	DOLBY → Function name	-
	No input signal	-	-	-	-	DD , PLII, Music	PL II MUSIC → NO DATA	DOLBY → Function name	-
5Ch Stereo	DOLBY Digital (5.1ch)	○	○	○	○	5-STEREO	5- STEREO → DD 3/2.1	BLANK → Function name	L, C, R, SL, SR, LFE
	DOLBY Digital (2ch)	○	○	○	○	5-STEREO	5- STEREO → DD 2/0	BLANK → Function name	L, R
	DOLBY Digital (2ch:Lt/Rt)	○	○	○	○	5-STEREO	5- STEREO → DD 2/1	BLANK → Function name	L, R, S
	96kHz PCM	-	-	-	-	5-STEREO	5- STEREO → "96k" PCM	BLANK → Function name	-
	PCM(Audio)	○	○	○	○	5-STEREO	5- STEREO → PCM	BLANK → Function name	L, R
	DTS (5.1ch)	○	○	○	○	5-STEREO	5- STEREO → DTS3/2.1	BLANK → Function name	L, C, R, SL, SR, LFE
	No input signal	-	-	-	-	5-STEREO	5- STEREO → NO DATA	BLANK → Function name	-

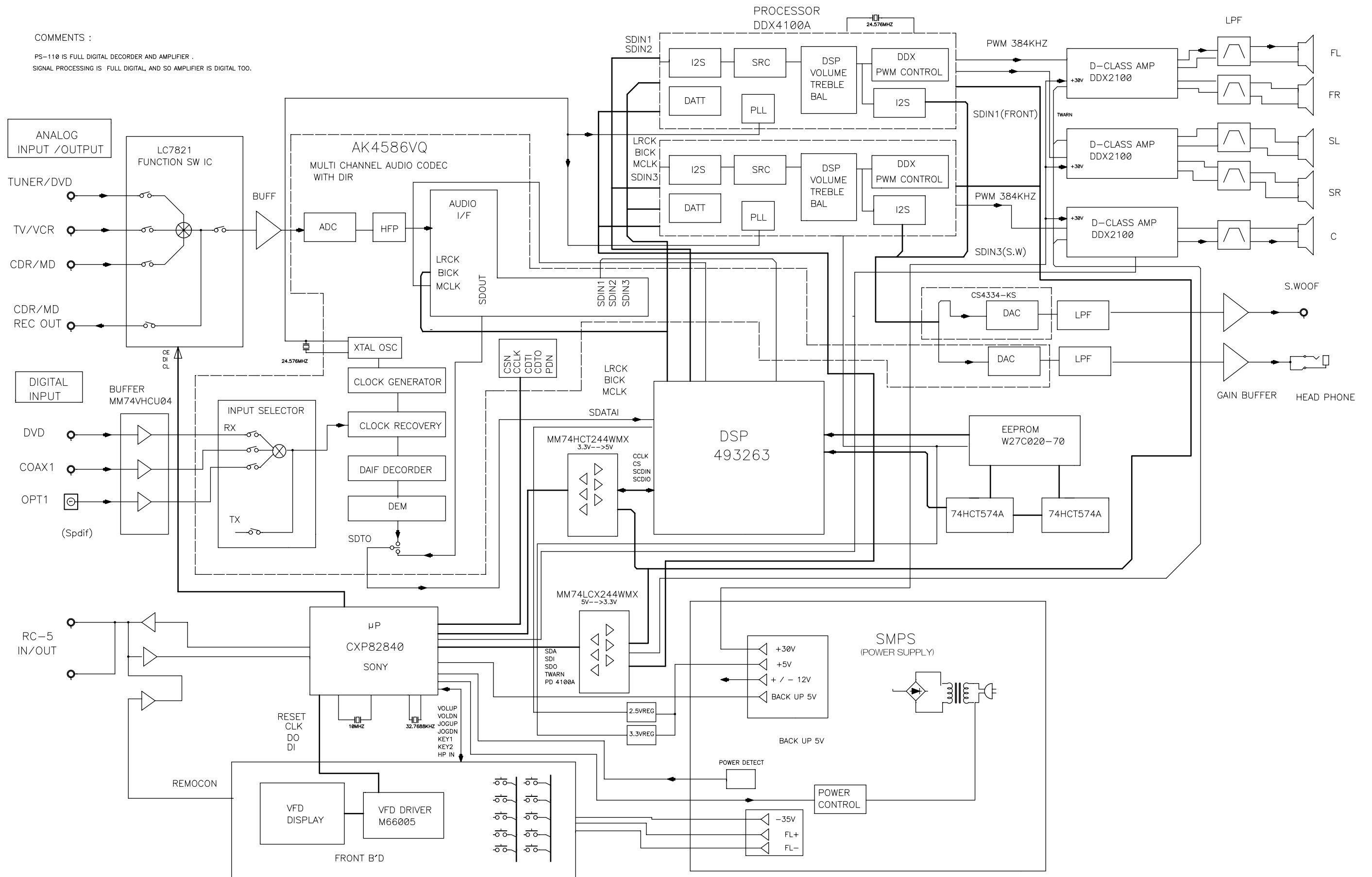
2. WIRING DIAGRAM



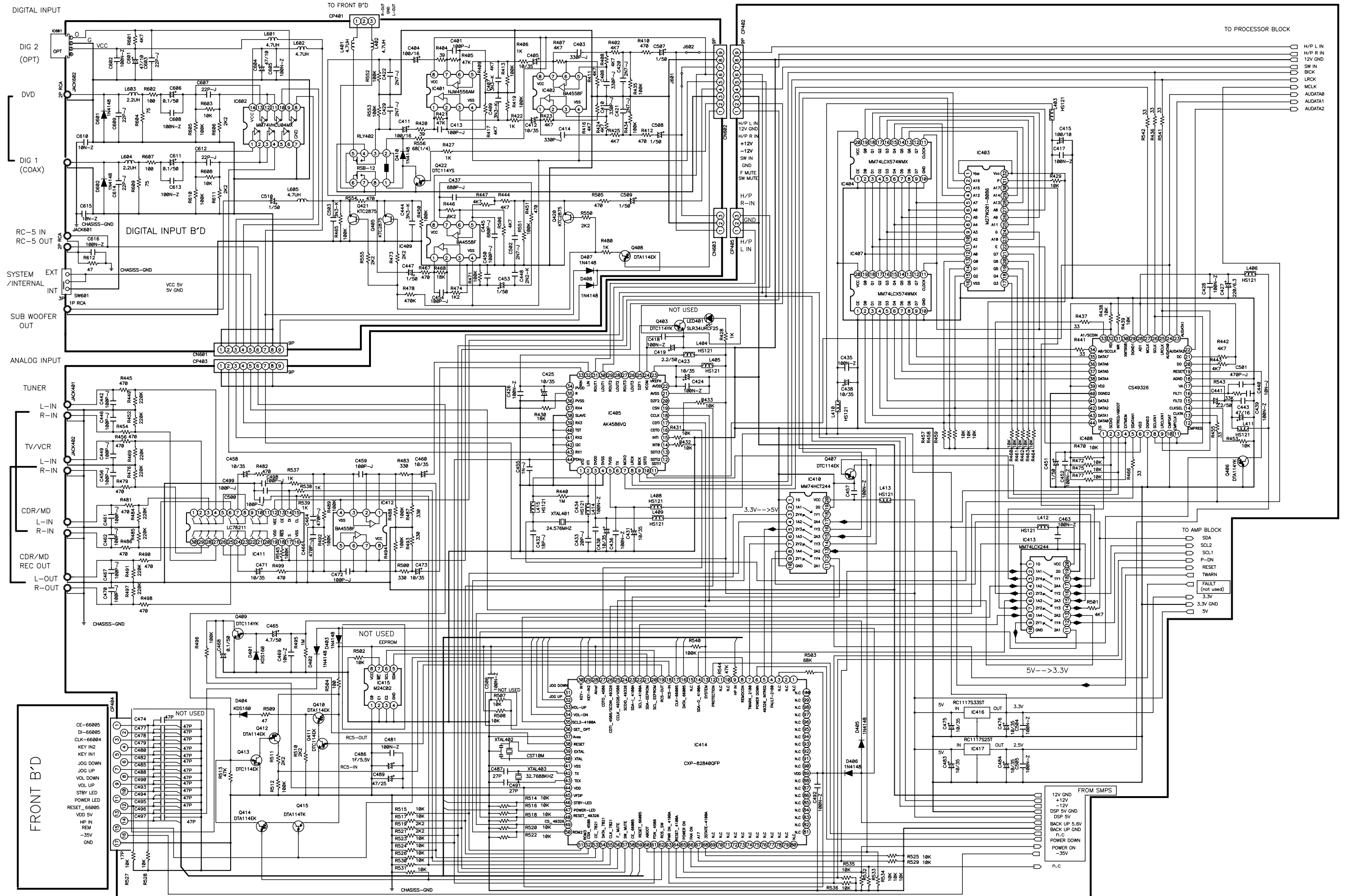
3. BLOCK DIAGRAM

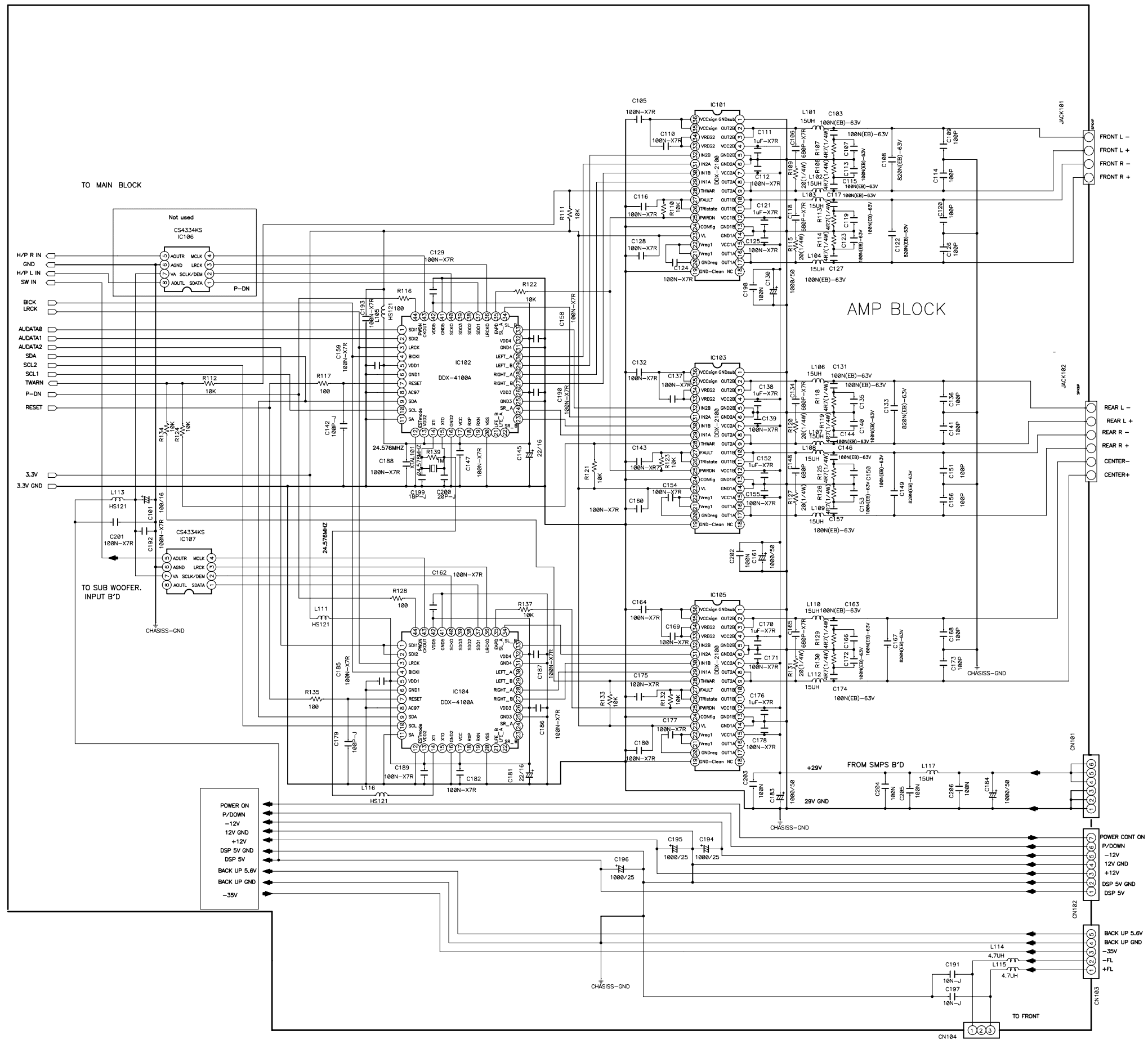
COMMENTS :

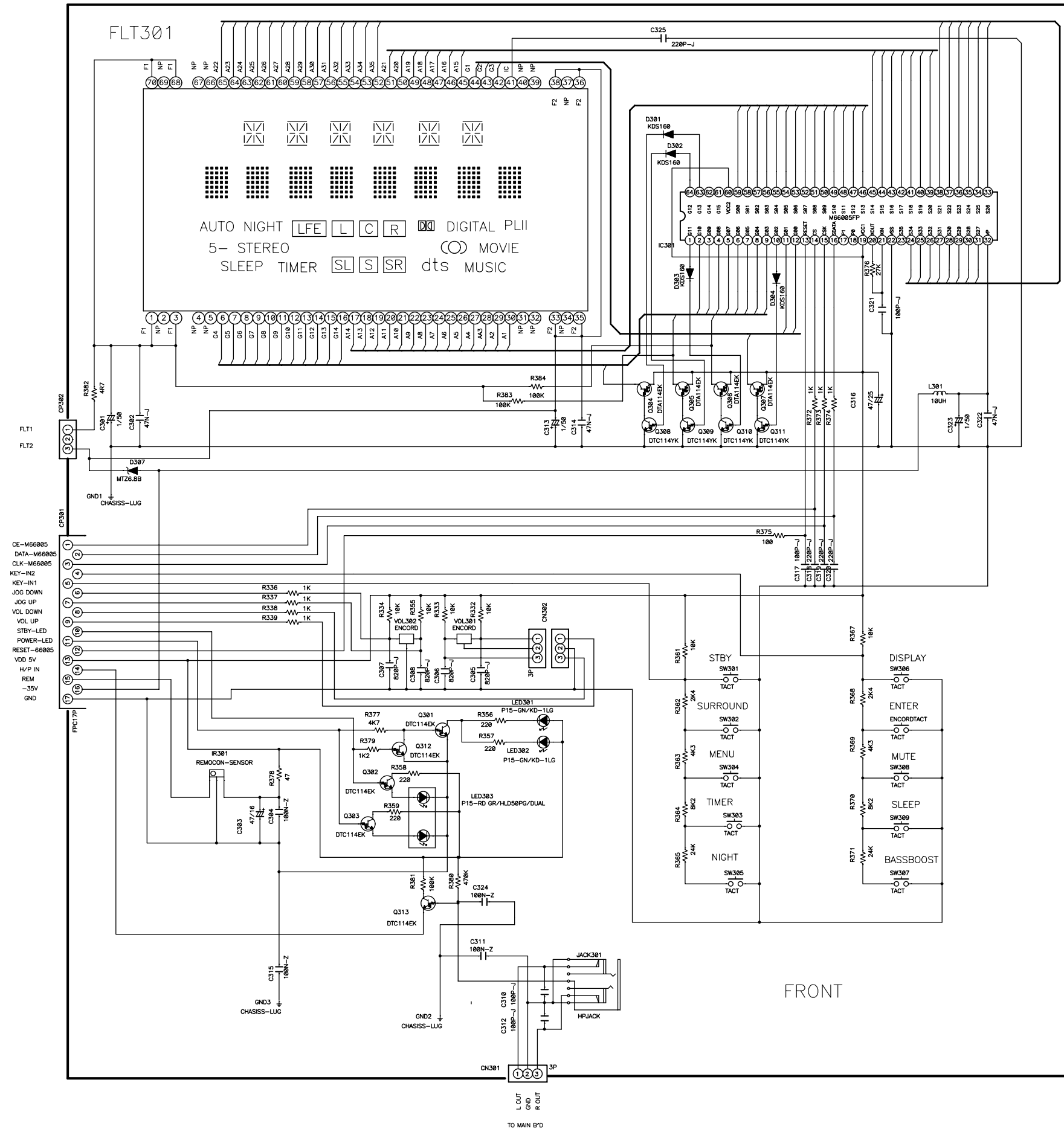
PS-110 IS FULL DIGITAL DECODER AND AMPLIFIER .
SIGNAL PROCESSING IS FULL DIGITAL, AND SO AMPLIFIER IS DIGITAL TOO.



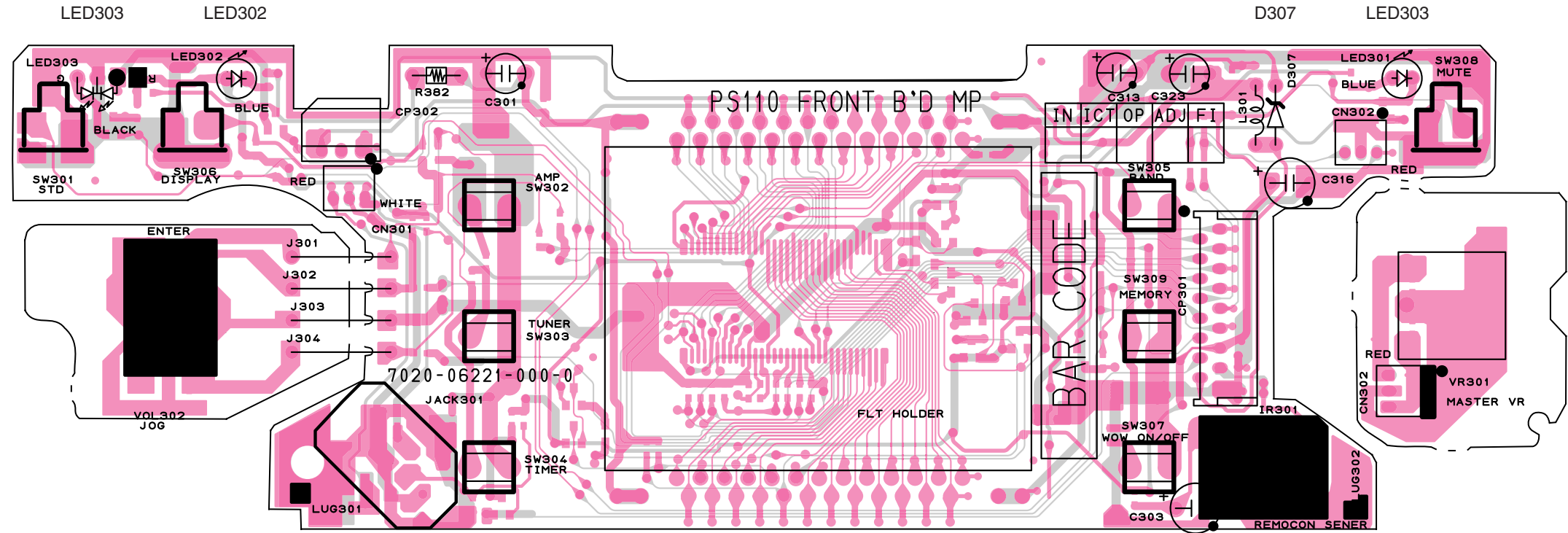
4. SCHEMATIC DIAGRAM



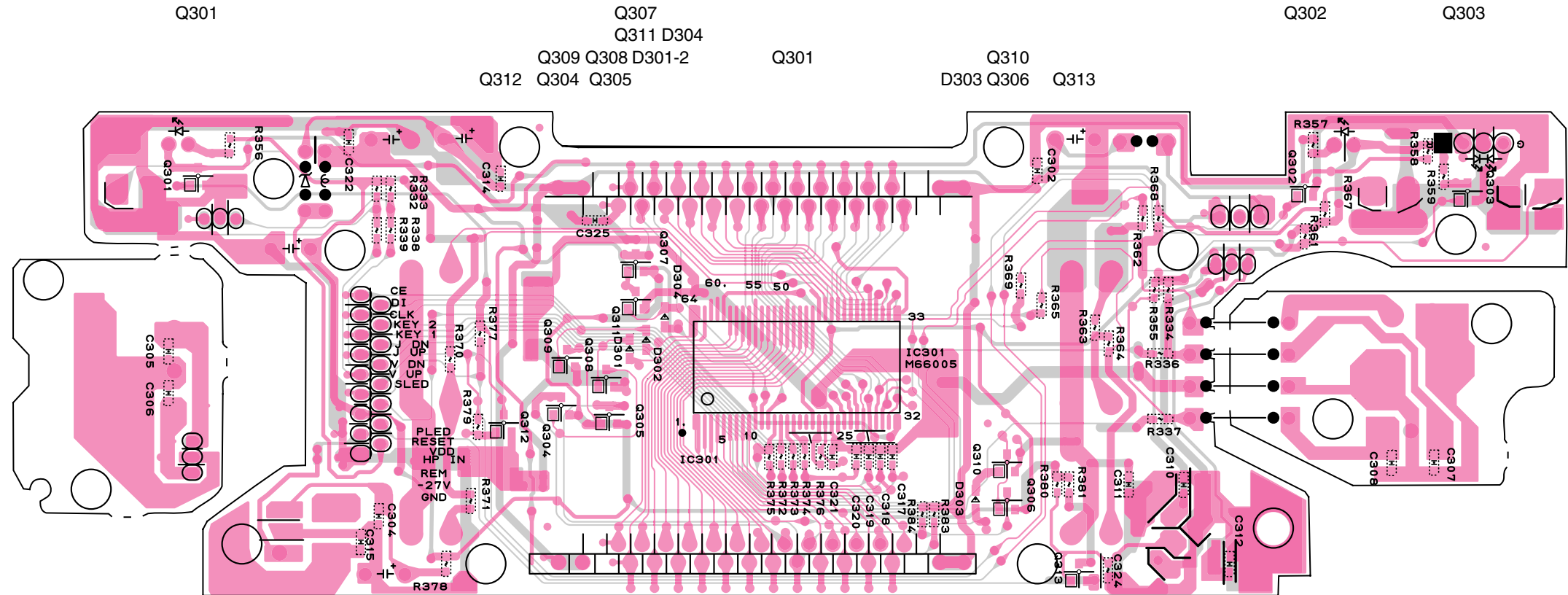




FRONT

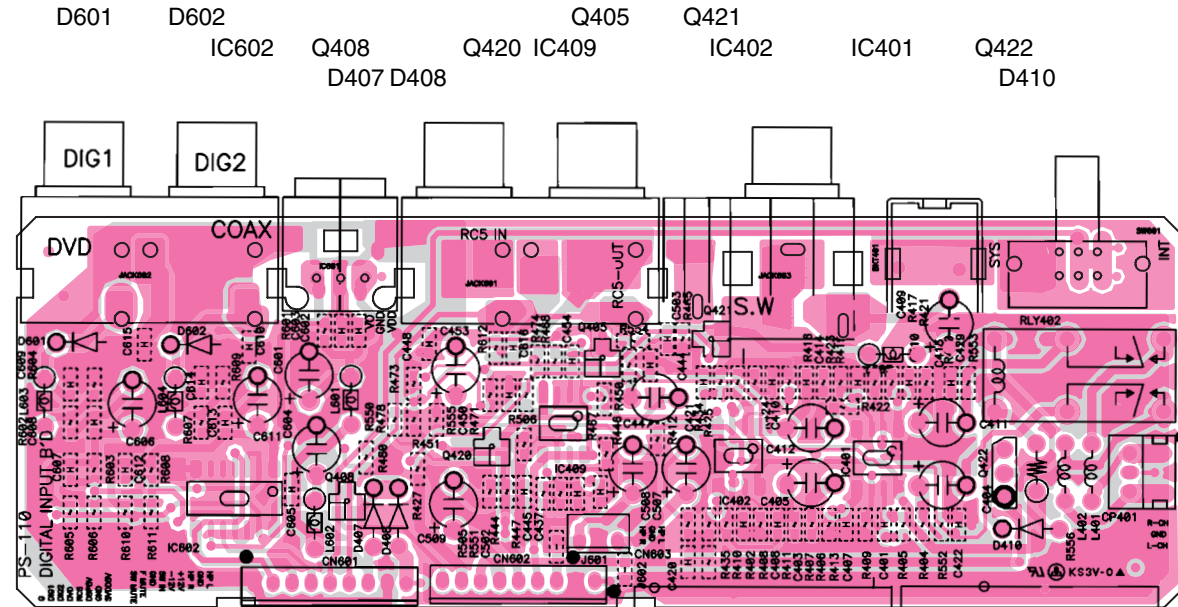


FRONT



6. IC DATA
 IC102, IC104:DDX4100A
 Pin Function

DIGITAL INPUT



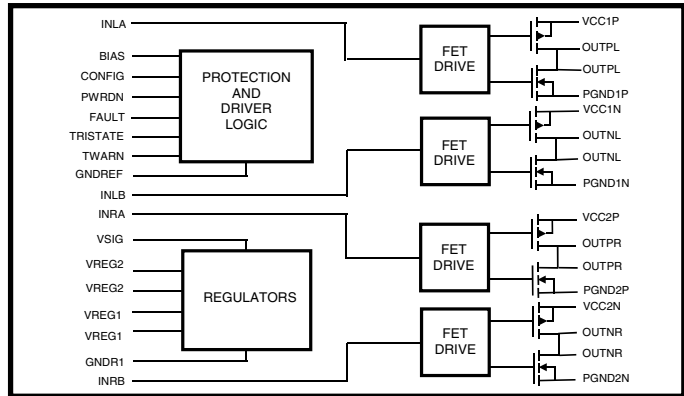
PIN	NAME	TYPE	DESCRIPTION	FAN - IN / OUT
1	SDI_1/SDATA_OUT	I	Input I ² S Serial Data 1/AC97 Output Data (I ² S mode maps to L,R DDX)	
2	SDI_2/SDATA_IN	I/O	Input I ² S Serial Data 2/AC97 Input Data (I ² S mode maps to LS,RS DDX)	2mA
3	LRCKI/SYNC	I/O	Input I ² S Left/Right Clock/AC97 Synch. Clock	2mA
4	BICKI/BIT_CLK	I/O	Input I ² S Serial Clock/AC97 Bit Clock	4mA
5	VDD_1		Digital Supply Voltage	
6	GND_1		Digital Ground	
7	RESET	I	Global Reset (Active Low) This pin is sensed only after 2 clock cycles	CMOS Schmitt In Pull-Up
8	AC97_MODE	I	AC97 Enable/Disable (1=AC97; 0=I ² S/SPDIF)	CMOS Schmitt In Pull-Down
9	SDA	I/O	I ² C Serial Data	2mA
10	SCL	I	I ² C Serial Clock	
11	SA	I	Select Address (I ² C/AC97)	
12	TEST_MODE		Connect pin to ground	CMOS In Pull-Down
13	VDD_2		Digital Supply Voltage	
14	XTI	I	Crystal Oscillator Input (Clock Input)	Analog IN
15	XTO	O	Crystal Oscillator Output Do Not Load	
16	GND_2		Digital Ground	
17	VCC		Analog Supply Voltage	
18	RXP	I	S/PDIF receiver positive (L,R DDX)	Analog In
19	RXN	I	S/PDIF receiver negative (L,R DDX)	Analog In
20	VSS		Analog Ground	
21	LFE_B	O	PWM LFE (subwoofer) channel output (B)	3mA
22	LFE_A	O	PWM LFE (subwoofer) channel output (A)	3mA
23	SRIGHT_B	O	PWM Surround right channel output (B)	3mA
24	SRIGHT_A	O	PWM Surround right channel output (A)	3mA
25	GND_3		Digital Ground	
26	VDD_3		Digital Supply Voltage	
27	RIGHT_B	O	PWM Right channel output (B)	3mA
28	RIGHT_A	O	PWM Right channel output (A)	3mA
29	LEFT_B	O	PWM Left channel output (B)	3mA
30	LEFT_A	O	PWM Left channel output (A)	3mA
31	GND_4		Digital Ground	
32	VDD_4		Digital Supply Voltage	
33	SLEFT_B	O	PWM Surround Left channel output (B)	3mA
34	SLEFT_A	O	PWM Surround Left channel output (A)	3mA
35	EAPD	O	External Amplifier Power down (Active Low)	3mA
36	LRCKO	I/O	I ² S Left/Right Clock	2mA
37	SDO_1	O	I ² S Serial Data 1 Output (L, R)	2mA
38	SDO_2	O	I ² S Serial Data 2 Output (LS, RS)	2mA
39	SDO_3	O	I ² S Serial Data 3 Output (C, SUB)	2mA
40	BICKO	I/O	I ² S Serial Clock	4mA
41	GND_5		Digital Ground	
42	VDD_5		Digital Supply Voltage	
43	CKOUT	O	Clock Output (256 x FS or 512 x FS)	8mA
44	PWDN	I	Device Power down (Active Low)	CMOS In Pull-Up

IC101, IC103, IC105:DDX2100

Pin Assignment

Block Diagram

19	GNDREF	NC	18
20	GNDR1	OUTPL	17
21	VREG1	OUTPL	16
22	VREG1	VCC1P	15
23	VL	PGND1P	14
24	CONFIG	PGND1N	13
25	PWRDN	VCC1N	12
26	TRI-STATE	OUTNL	11
27	FAULT	OUTNL	10
28	TWARN	OUTPR	9
29	INLA	OUTPR	8
30	INLB	VCC2P	7
31	INRA	PGND2P	6
32	INRB	PGND2N	5
33	VREG2	VCC2N	4
34	VREG2	OUTNR	3
35	VSIG	OUTNR	2
36	VSIG	GNDS	1

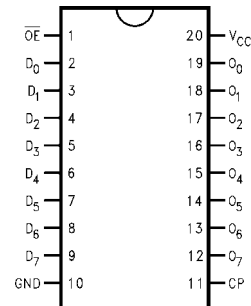


IC404, IC407:74LCX574

Pin Function

Pin Assignment

Pin Names	Description
D ₀ -D ₇	Data Inputs
CP	Clock Pulse Input
\overline{OE}	3-STATE Output Enable Input
O ₀ -O ₇	3-STATE Outputs



Truth Table

Inputs			Internal	Outputs	Function
\overline{OE}	CP	D	Q	O _n	
H	H	L	NC	Z	Hold
H	H	H	NC	Z	Hold
H	↗	L	L	Z	Load
H	↗	H	H	Z	Load
L	↗	L	L	L	Data Available
L	↗	H	H	H	Data Available
L	H	L	NC	NC	No Change in Data
L	H	H	NC	NC	No Change in Data

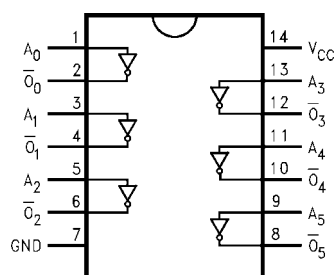
H = HIGH Voltage Level
 L = LOW Voltage Level
 X = Immaterial
 Z = High Impedance
 ↗ = LOW-to-HIGH Transition
 NC = No Change

IC405:AK4586
Pin Function

No.	Pin Name	I/O	Function
1	XTO	O	X'tal Output Pin
2	XTI	I	X'tal Input Pin
	EXTCLK	I	External Master Clock Input Pin
3	TVDD	-	Output Buffer Power Supply Pin, 2.7V~5.5V
4	DVSS	-	Digital Ground Pin, 0V
5	DVDD	-	Digital Power Supply Pin, 4.5V~5.5V
6	TX	O	Transmit channel (through data) Output Pin
7	MCKO	O	Master Clock Output Pin
8	LRCK	I/O	Input/Output Channel Clock Pin
9	BICK	I/O	Audio Serial Data Clock Pin
10	SDTO	O	Audio Serial Data Output Pin
11	SDTI1	I	DAC1 Audio Serial Data Input Pin
12	SDTI2	I	DAC2 Audio Serial Data Input Pin
13	SDTI3	I	DAC3 Audio Serial Data Input Pin
14	INT0	O	Interrupt 0 pin
15	INT1	O	Interrupt 1 pin
16	CDTO	O	Control Data Output Pin in 4-wire serial control mode
	CAD1	I	Chip Address 1 Pin in I ² C bus control mode
17	CDTI	I	Control Data Input Pin in 4-wire serial control mode
	SDA	I/O	Control Data Input/Output Pin in I ² C bus control mode
18	CCLK	I	Control Data Clock Pin in 4-wire serial control mode
	SCL	I	Control Data Clock Pin in I ² C bus control mode
19	CSN	I	Chip Select Pin in 4-wire serial control mode
	CAD0	I	Chip Address 0 Pin in I ² C bus control mode
20	DZF2	O	Zero Input Detect 2 Pin (Note 1) When the input data of the group 1 follow total 8192 LRCK cycles with "0" input data, this pin goes to "H".
	OVF	O	Analog Input Overflow Detect Pin (Note 2) This pin goes to "H" if the analog input of Lch or Rch is overflows.
21	AVSS	-	Analog Ground Pin, 0V
22	AVDD	-	Analog Power Supply Pin, 4.5V~5.5V

IC602:74VHCU04

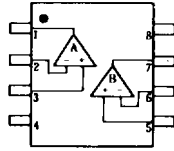
Block Diagram



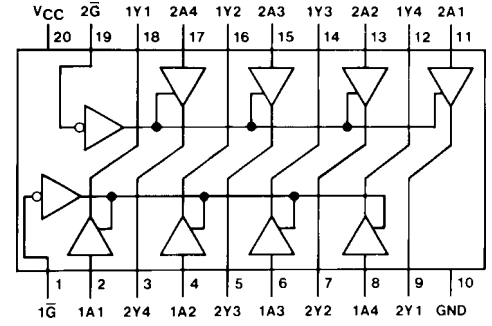
Truth Table

A	\overline{O}
L	H
H	L

IC401:NJM4556AM
Block Diagram



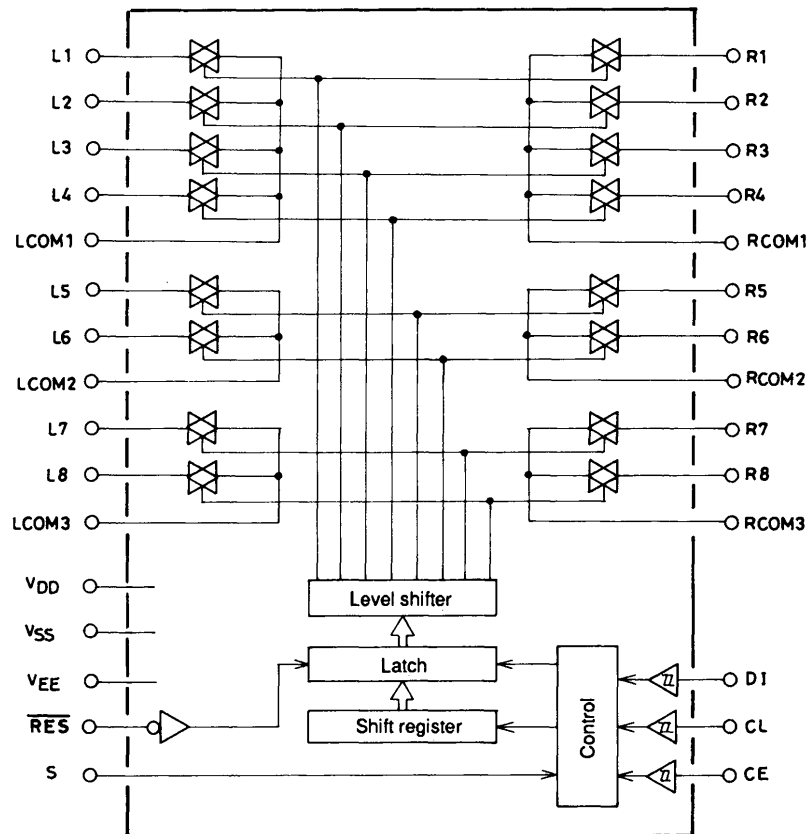
IC410:74HCT244
Block Diagram



Truth Table

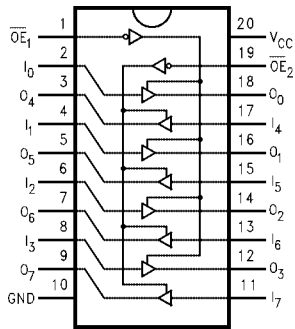
1G	1A	1Y	2G	2A	2Y
L	L	L	L	L	L
L	H	H	L	H	H
H	L	Z	H	L	Z
H	H	Z	H	H	Z

IC411:LC78211
Block Diagram



Block Diagram

Pin Function



Pin Names	Description
$\overline{OE}_1, \overline{OE}_2$	3-STATE Output Enable Inputs
$I_0 - I_7$	Inputs
$O_0 - O_7$	Outputs

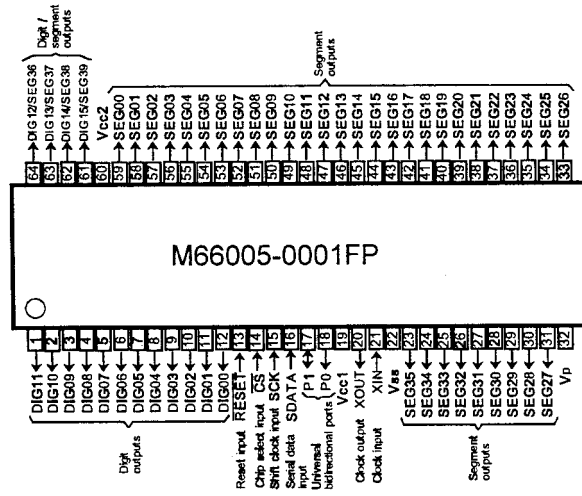
Truth Table

Inputs		Outputs
\overline{OE}_1	I_n	(Pins 12, 14, 16, 18)
L	L	L
L	H	H
H	X	Z

Inputs		Outputs
\overline{OE}_2	I_n	(Pins 3, 5, 7, 9)
L	L	L
L	H	H
H	X	Z

H = HIGH Voltage Level
 L = LOW Voltage Level
 X = Immaterial
 Z = High Impedance

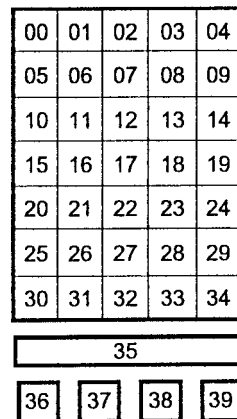
IC301:M66005FP
Pin Assignment



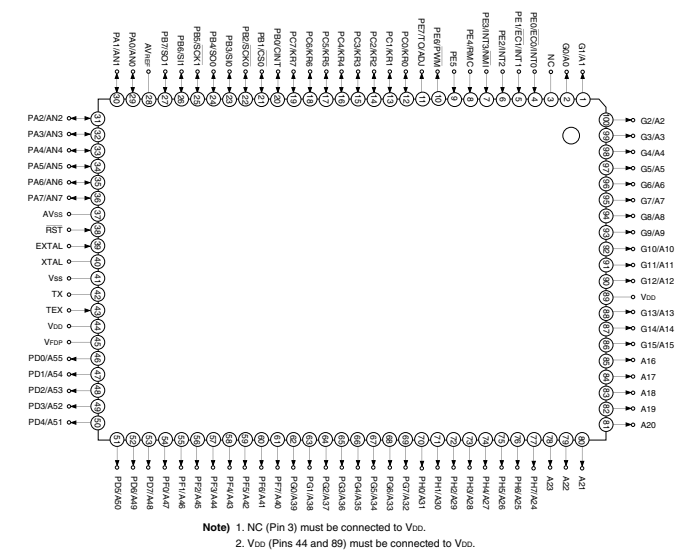
Pin Function

Symbol	Pin name	Comment
RESET	Reset input	When "L", M66005 is initialized.
CS	Chip select input	When "L", communication with the MCU is possible. When "H", any instruction from the MCU is neglected.
SCK	Shift clock input	Serial input data is taken and shifted by the positive edge of SCK.
SDATA	Serial data input	
XIN, XOUT	Clock input Clock output	When use as a CR oscillator, connect external resistor and capacitor. When use an external clock, input external clock to XIN, and XOUT must be opened.
DIG00~DIG15	Digit output	Connect to digit (grid) pins of VFD.
SEG00~SEG39	Segment output	Connect to segment (anode) pins of VFD. Pins from SEG00 to SEG39 correspond to segment pins of VFD as shown in the table below. SEG36~SEG39 pins are common to DIG12~DIG15 pins. So, when use SEG36~SEG39, the number of digit to be used is decreased.
P1, P0	Universal port P1 : bidirectional P0 : output	Generally, use this port as the static output port. This port also operates as the timing IN/OUT port to control another M66005.
Vcc1		Positive power supply for internal logic.
Vcc2		Positive power supply for DIG and SEG outputs.
Vss		GND (0V)
Vp		Negative power supply to pull down.

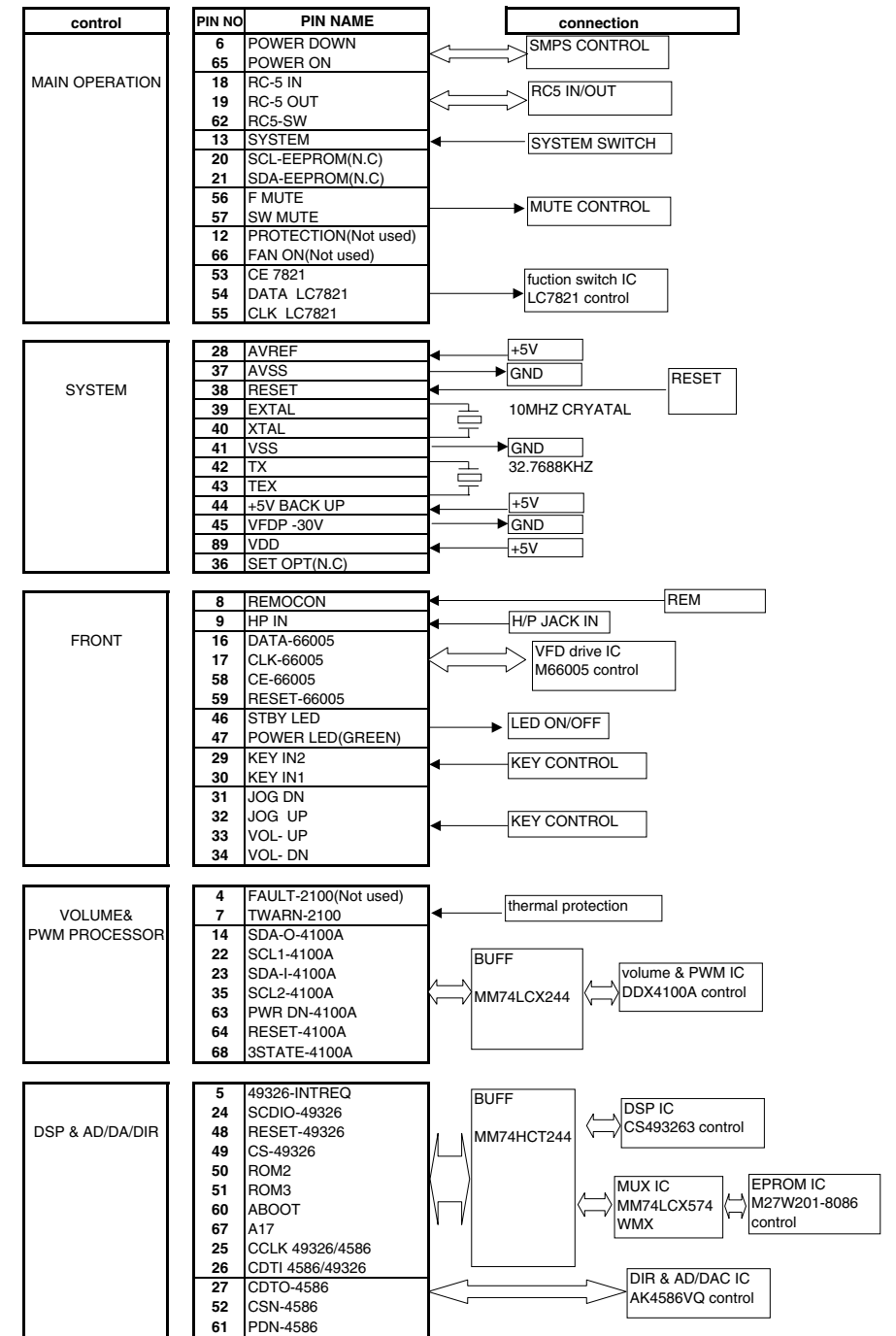
VFD Grid



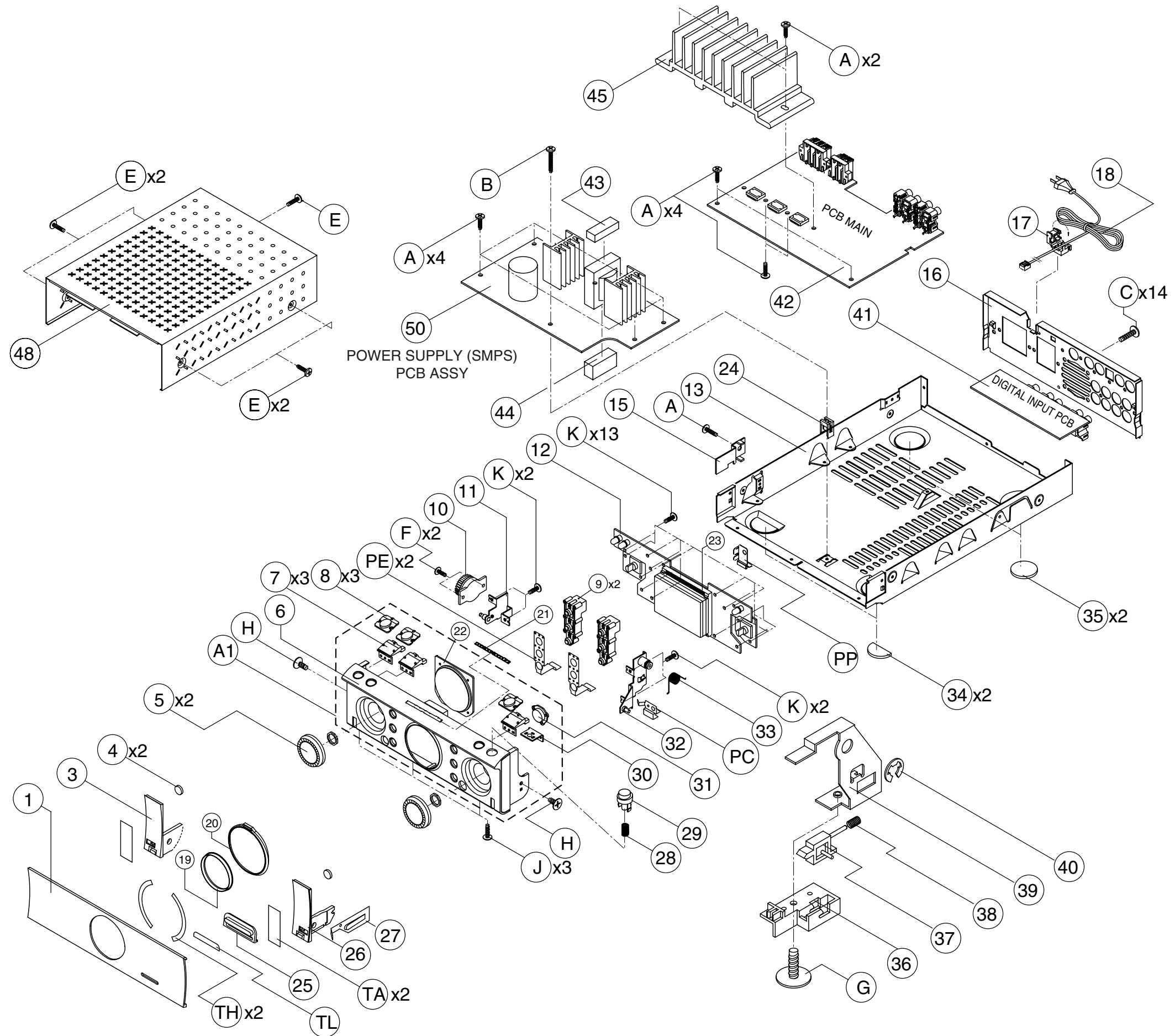
IC414:CXP82840-351Q
Pin Assignment



Pin Function



7. EXPLODED VIEW AND PARTS LIST



8. SERVICE PROCEDURE

Rsetting the unit

1. Pull out the Mains (AC) plug from wall outlet.
2. Keep pressing the **STAND BY** button on the front panel.
3. Insert the Mains (AC) plug to wall outlet.
4. All the settings except the parental lock password are reset.

Firmware version check

1. Pull out the Mains (AC) plug from wall outlet.
2. Keep pressing the **DISPLAY** button on the front panel.
3. Insert the Mains (AC) plug to wall outlet.
4. The firmware version is displayed on the front FLD.
(Ex.: VER Jan16-1)
5. Push or turn the **MULTI JOG** dial one step to either side. All the FLD segments light up then light off one by one.

9. ELECTRICAL PARTS LIST

ASSIGNMENT OF COMMON PARTS CODES.

RESISTORS

R***: 1) GD05 × × × 140, Carbon film fixed resistor, ±5% 1/4W
 R***: 2) GD05 × × × 160, Carbon film fixed resistor, ±5% 1/6W
 ① — Resistance value

Examples ;

① Resistance value
 0.1 Ω 001 10 Ω 100 1 kΩ 102 100 kΩ 104
 0.5 Ω 005 18 Ω 180 2.7 kΩ 272 680 kΩ 684
 1 Ω 010 100 Ω 101 10 kΩ 103 1 MΩ 105
 6.8 Ω 068 390 Ω 391 22 kΩ 223 4.7 MΩ 475

Note : Please distinguish 1/4W from 1/6W by the shape of parts used actually.

CAPACITORS

C***: CERAMIC CAP.

3) DD1 × × × × 370, Ceramic capacitor
 Disc type
 Temp.coef.P350 ~N1000, 50V
 ② — Capacity value
 ③ — Tolerance

Examples ;

② Tolerance (Capacity deviation)
 ±0.25 pF 0
 ±0.5 pF 1
 ±5% 5

* Tolerance of COMMON PARTS handled here are as follows :

0.5 pF ~ 5 pF ±0.25 pF
 6 pF ~ 10 pF ±0.5 pF
 12 pF ~ 560 pF ±5%

③ Capacity value

0.5 pF 005 3 pF 030 100 pF 101
 1 pF 010 10 pF 100 220 pF 221
 1.5 pF 015 47 pF 470 560 pF 561

C***: CERAMIC CAP.

4) DK16 × × × × 300, High dielectric constant ceramic capacitor
 Disc type
 Temp.chara. 2B4, 50V
 ④ — Capacity value

Examples ;

④ Capacity value
 100 pF 101 1000 pF 102 10000 pF 103
 470 pF 471 2200 pF 222

C***: 5) ELECTROLY CAP. (⏏), 6) FILM CAP. (⏏)

5) EA × × × × × × 10, Electrolytic capacitor
 One-way lead type, Tolerance ±20%
 ⑤ — Capacity value
 ⑥ — Working voltage

Examples ;

⑤ Capacity value
 0.1 μF 104 4.7 μF 475 100 μF 107
 0.33 μF 334 10 μF 106 330 μF 337
 1 μF 105 22 μF 226 1100 μF 118
 2200 μF 228

⑥ Working voltage
 6.3V 006 25V 025
 10V 010 35V 035
 16V 016 50V 050

6) DF15 × × × × 350 — Plastic film capacitor
 DF15 × × × × 310 — One-way type, Mylar ±5% 50V
 DF16 × × × × 310 — Plastic film capacitor
 One-way type, Mylar ±10% 50V
 ⑦ — Capacity value

Examples ;

⑦ Capacity value
 0.001 μF (1000 pF) 102 0.1 μF 104
 0.0018 μF 182 0.56 μF 564
 0.01 μF 103 1 μF 105
 0.015 μF 153

NOTE : 1) The above CODES (R***, R***, C***, C*** and C***) are omitted on the schematic diagram in some case.
 2) On the occasion, be confirmed the common parts on the parts list.
 3) Refer to "Common Parts List" for the other common parts (R105, DD4, DK4).

NOTE ON SAFETY FOR FUSIBLE RESISTOR :

The suppliers and their type numbers of fusible resistors are as follows;

1. KOA Corporation

Part No. (MJI)	Type No. (KOA)	Description
NH05 × × × 140	RF25S × × × × ΩJ	(±5% 1/4W)
NH05 × × × 120	RF50S × × × × ΩJ	(±5% 1/2W)
NH85 × × × 110	RF73B2A × × × × ΩJ	(±5% 1/10W)
NH95 × × × 140	RF73B2E × × × × ΩJ	(±5% 1/4W)

* Resistance value Resistance value
 (0.1 Ω – 10 kΩ)

2. Matsushita Electronic Components Co., Ltd

Part No. (MJI)	Type No. (MEC)	Description
NF05 × × × 140	ERD-2FCJ × × ×	(±5% 1/4W)
RF05 × × × 140	ERD-2FCG × × ×	(±2% 1/4W)
NF02 × × × 140		
RF02 × × × 140		

* Resistance value * Resistance value

Examples ;

* Resistance value

0.1 Ω 001 10 Ω 100 1 kΩ 102 100 kΩ 104
 0.5 Ω 005 18 Ω 180 2.7 kΩ 272 680 kΩ 684
 1 Ω 010 100 Ω 101 10 kΩ 103 1 MΩ 105
 6.8 Ω 068 390 Ω 391 22 kΩ 223 4.7 MΩ 475

ABBREVIATION AND MARKS

ANT. : ANTENNA	BATT. : BATTERY
CAP. : CAPACITOR	CER. : CERAMIC
CONN. : CONNECTING	DIG. : DIGITAL
HP : HEADPHONE	MIC. : MICROPHONE
μ-PRO : MICROPROCESSOR	REC. : RECORDING
RES. : RESISTOR	SPK : SPEAKER
SW : SWITCH	TRANSF. : TRANSFORMER
TRIM. : TRIMMING	TRS. : TRANSISTOR
VAR. : VARIABLE	X'TAL : CRYSTAL

NOTE ON FUSE :

Regarding to all parts of parts code **FS20xxx2xx**, replace only with Wickmann-Werke GmbH, Type 372 non glass type fuse.

NOTE ON SAFETY :

Symbol ⚠ Fire or electrical shock hazard. Only original parts should be used to replaced any part marked with symbol ⚠ . Any other component substitution (other than original type), may increase risk of fire or electrical shock hazard.

安全上の注意 :

⚠ がついている部品は、安全上重要な部品です。必ず指定されている部品番号の部品を使用して下さい。

POS. NO	VERS. COLOR	PART NO. (FOR EUR)	PART NO. (MJ)	DESCRIPTION		
				MAIN PCB		
*		nsp	nsp	SOCKET,IC	IC SOCKET 32PIN	G450320000010
*		nsp	nsp	SCREW,TAP TITE	+2S 3*8 B-TYPE ZNY/BH	B020030081B10
C101		nsp	OA10701620	C,ELECT GE 85C	100µF-M/16V,6.3*11-5RE,SMS SY	D040101083070
C103		*OF100330R	*OF100330R	C,FILM POLYESTER	0.1µF-J/63V-5RE	D020104068050
C105		nsp	DK96104300	C,CERAMIC CHIP HIK	0.1µF-K/50V-1608REEL	D011104577160
C106		nsp	*DD900350R	C,CERAMIC CHIP T.C	680pF-J 50V-1608REEL	D010681167160
C107		*OF100330R	*OF100330R	C,FILM POLYESTER	0.1µF-J/63V-5RE	D020104068050
C108		*OF100340R	*OF100340R	C,FILM POLYESTER	0.82µF-J/63V-5RE BLUE	D020824068050
C109		nsp	DD95101300	C,CERAMIC CHIP T.C	100pF-J/50V-1608REEL	D010101167160
C110		nsp	DK96104300	C,CERAMIC CHIP HIK	0.1µF-K/50V-1608REEL	D011104577160
C111		nsp	*DK900040R	C,CERAMIC CHIP HIK	1µF-Z/50V-1608REEL	D011105597160
C112		nsp	DK96104300	C,CERAMIC CHIP HIK	0.1µF-K/50V-1608REEL	D011104577160
C113		*OF100330R	*OF100330R	C,FILM POLYESTER	0.1µF-J/63V-5RE	D020104068050
C114		nsp	DD95101300	C,CERAMIC CHIP T.C	100pF-J/50V-1608REEL	D010101167160
C115		*OF100330R	*OF100330R	C,FILM POLYESTER	0.1µF-J/63V-5RE	D020104068050
C116		nsp	DK96104300	C,CERAMIC CHIP HIK	0.1µF-K/50V-1608REEL	D011104577160
C117		*OF100330R	*OF100330R	C,FILM POLYESTER	0.1µF-J/63V-5RE	D020104068050
C118		nsp	*DD900350R	C,CERAMIC CHIP T.C	680pF-J 50V-1608REEL	D010681167160
C119		*OF100330R	*OF100330R	C,FILM POLYESTER	0.1µF-J/63V-5RE	D020104068050
C120		nsp	DD95101300	C,CERAMIC CHIP T.C	100pF-J/50V-1608REEL	D010101167160
C121		nsp	*DK900040R	C,CERAMIC CHIP HIK	1µF-Z/50V-1608REEL	D011105597160
C122		*OF100340R	*OF100340R	C,FILM POLYESTER	0.82µF-J/63V-5RE BLUE	D020824068050
C123		*OF100330R	*OF100330R	C,FILM POLYESTER	0.1µF-J/63V-5RE	D020104068050
C124		nsp	DK96104300	C,CERAMIC CHIP HIK	0.1µF-K/50V-1608REEL	D011104577160
C125		nsp	DK96104300	C,CERAMIC CHIP HIK	0.1µF-K/50V-1608REEL	D011104577160
C126		nsp	DD95101300	C,CERAMIC CHIP T.C	100pF-J/50V-1608REEL	D010101167160
C127		*OF100330R	*OF100330R	C,FILM POLYESTER	0.1µF-J/63V-5RE	D020104068050
C128		nsp	DK96104300	C,CERAMIC CHIP HIK	0.1µF-K/50V-1608REEL	D011104577160
C129		nsp	DK96104300	C,CERAMIC CHIP HIK	0.1µF-K/50V-1608REEL	D011104577160
C130		nsp	OA10805020	C,ELECT GE 85C	1000µF-M/50V,12.5*25S.BLK SY	D040102087010
C131		*OF100330R	*OF100330R	C,FILM POLYESTER	0.1µF-J/63V-5RE	D020104068050
C132		nsp	DK96104300	C,CERAMIC CHIP HIK	0.1µF-K/50V-1608REEL	D011104577160
C133		*OF100340R	*OF100340R	C,FILM POLYESTER	0.82µF-J/63V-5RE BLUE	D020824068050
C134		nsp	*DD900350R	C,CERAMIC CHIP T.C	680pF-J 50V-1608REEL	D010681167160
C135		*OF100330R	*OF100330R	C,FILM POLYESTER	0.1µF-J/63V-5RE	D020104068050
C136		nsp	DD95101300	C,CERAMIC CHIP T.C	100pF-J/50V-1608REEL	D010101167160
C137		nsp	DK96104300	C,CERAMIC CHIP HIK	0.1µF-K/50V-1608REEL	D011104577160
C138		nsp	*DK900040R	C,CERAMIC CHIP HIK	1µF-Z/50V-1608REEL	D011105597160
C139		nsp	DK96104300	C,CERAMIC CHIP HIK	0.1µF-K/50V-1608REEL	D011104577160
C140		*OF100330R	*OF100330R	C,FILM POLYESTER	0.1µF-J/63V-5RE	D020104068050
C141		nsp	DD95101300	C,CERAMIC CHIP T.C	100pF-J/50V-1608REEL	D010101167160
C142		nsp	DD95101300	C,CERAMIC CHIP T.C	100pF-J/50V-1608REEL	D010101167160
C143		nsp	DK96104300	C,CERAMIC CHIP HIK	0.1µF-K/50V-1608REEL	D011104577160
C144		*OF100330R	*OF100330R	C,FILM POLYESTER	0.1µF-J/63V-5RE	D020104068050
C145		nsp	OA22601620	C,ELECT GE 85C	22µF-M/16V,5*11-5RE.SY	D040220083070
C146		*OF100330R	*OF100330R	C,FILM POLYESTER	0.1µF-J/63V-5RE	D020104068050
C147		nsp	DK96104300	C,CERAMIC CHIP HIK	0.1µF-K/50V-1608REEL	D011104577160
C148		nsp	*DD900350R	C,CERAMIC CHIP T.C	680pF-J 50V-1608REEL	D010681167160
C149		*OF100340R	*OF100340R	C,FILM POLYESTER	0.82µF-J/63V-5RE BLUE	D020824068050
C150		*OF100330R	*OF100330R	C,FILM POLYESTER	0.1µF-J/63V-5RE	D020104068050
C151		nsp	DD95101300	C,CERAMIC CHIP T.C	100pF-J/50V-1608REEL	D010101167160
C152		nsp	*DK900040R	C,CERAMIC CHIP HIK	1µF-Z/50V-1608REEL	D011105597160
C153		*OF100330R	*OF100330R	C,FILM POLYESTER	0.1µF-J/63V-5RE	D020104068050
C154		nsp	DK96104300	C,CERAMIC CHIP HIK	0.1µF-K/50V-1608REEL	D011104577160
C155		nsp	DK96104300	C,CERAMIC CHIP HIK	0.1µF-K/50V-1608REEL	D011104577160
C156		nsp	DD95101300	C,CERAMIC CHIP T.C	100pF-J/50V-1608REEL	D010101167160
C157		*OF100330R	*OF100330R	C,FILM POLYESTER	0.1µF-J/63V-5RE	D020104068050
C158		nsp	DK96104300	C,CERAMIC CHIP HIK	0.1µF-K/50V-1608REEL	D011104577160
C159		nsp	DK96104300	C,CERAMIC CHIP HIK	0.1µF-K/50V-1608REEL	D011104577160
C160		nsp	DK96104300	C,CERAMIC CHIP HIK	0.1µF-K/50V-1608REEL	D011104577160

NOTE : *nsp* PART IS LISTED FOR REFERENCE ONLY, MARANTZ WILL NOT SUPPLY THESE PARTS.

POS. NO	VERS. COLOR	PART NO. (FOR EUR)	PART NO. (MJI)	DESCRIPTION		
C161		nsp	OA10805020	C,ELECT GE 85C	1000µF-M/50V,12.5*25S.BLK SY	D040102087010
C162		nsp	DK96104300	C,CERAMIC CHIP HIK	0.1µF-K/50V-1608REEL	D011104577160
C163		*OF100330R	*OF100330R	C,FILM POLYESTER	0.1µF-J/63V-5RE	D020104068050
C164		nsp	DK96104300	C,CERAMIC CHIP HIK	0.1µF-K/50V-1608REEL	D011104577160
C165		nsp	*DD900350R	C,CERAMIC CHIP T.C	680pF-J 50V-1608REEL	D010681167160
C166		*OF100330R	*OF100330R	C,FILM POLYESTER	0.1µF-J/63V-5RE	D020104068050
C167		*OF100340R	*OF100340R	C,FILM POLYESTER	0.82µF-J/63V-5RE BLUE	D020824068050
C168		nsp	DD95101300	C,CERAMIC CHIP T.C	100pF-J/50V-1608REEL	D010101167160
C169		nsp	DK96104300	C,CERAMIC CHIP HIK	0.1µF-K/50V-1608REEL	D011104577160
C170		nsp	*DK900040R	C,CERAMIC CHIP HIK	1µF-Z/50V-1608REEL	D011105597160
C171		nsp	DK96104300	C,CERAMIC CHIP HIK	0.1µF-K/50V-1608REEL	D011104577160
C172		*OF100330R	*OF100330R	C,FILM POLYESTER	0.1µF-J/63V-5RE	D020104068050
C173		nsp	DD95101300	C,CERAMIC CHIP T.C	100pF-J/50V-1608REEL	D010101167160
C174		*OF100330R	*OF100330R	C,FILM POLYESTER	0.1µF-J/63V-5RE	D020104068050
C175		nsp	DK96104300	C,CERAMIC CHIP HIK	0.1µF-K/50V-1608REEL	D011104577160
C176		nsp	*DK900040R	C,CERAMIC CHIP HIK	1µF-Z/50V-1608REEL	D011105597160
C177		nsp	DK96104300	C,CERAMIC CHIP HIK	0.1µF-K/50V-1608REEL	D011104577160
C178		nsp	DK96104300	C,CERAMIC CHIP HIK	0.1µF-K/50V-1608REEL	D011104577160
C179		nsp	DD95101300	C,CERAMIC CHIP T.C	100pF-J/50V-1608REEL	D010101167160
C180		nsp	DK96104300	C,CERAMIC CHIP HIK	0.1µF-K/50V-1608REEL	D011104577160
C181		nsp	OA22601620	C,ELECT GE 85C	22µF-M/16V,5*11-5RE.SY	D040220083070
C182		nsp	DK96104300	C,CERAMIC CHIP HIK	0.1µF-K/50V-1608REEL	D011104577160
C183		nsp	OA10805020	C,ELECT GE 85C	1000µF-M/50V,12.5*25S.BLK SY	D040102087010
C184		nsp	OA10805020	C,ELECT GE 85C	1000µF-M/50V,12.5*25S.BLK SY	D040102087010
C185						
}		nsp	DK96104300	C,CERAMIC CHIP HIK	0.1µF-K/50V-1608REEL	D011104577160
C190						
C191		nsp	DK96103300	C,CERAMIC CHIP HIK	0.01µF-K/50V-1608REEL	D011103777160
C192		nsp	DK96104300	C,CERAMIC CHIP HIK	0.1µF-K/50V-1608REEL	D011104577160
C193		nsp	DK96104300	C,CERAMIC CHIP HIK	0.1µF-K/50V-1608REEL	D011104577160
C194		EA10802510	EA10802510	C,ELECT GE 85C	1000µF-M/25V(SHL),10*20L-L	D040102084060
C195		EA10802510	EA10802510	C,ELECT GE 85C	1000µF-M/25V(SHL),10*20L-L	D040102084060
C196		EA10802510	EA10802510	C,ELECT GE 85C	1000µF-M/25V(SHL),10*20L-L	D040102084060
C197		nsp	DK96103300	C,CERAMIC CHIP HIK	0.01µF-K/50V-1608REEL	D011103777160
C198		nsp	DA17104110	C,CERAMIC HIK DISC	F0.1µF-Z/50V-BULK	D004104197010
C199		nsp	DD95180300	C,CERAMIC CHIP T.C	18pF-J/50V-1608REEL	D010180167160
C200		nsp	DD95200300	C,CERAMIC CHIP T.C	20pF-J/50V-1608REEL	D010200167160
C201		nsp	DK96104300	C,CERAMIC CHIP HIK	0.1µF-K/50V-1608REEL	D011104577160
C202						
}		nsp	DA17104110	C,CERAMIC HIK DISC	F0.1µF-Z/50V-BULK	D004104197010
C206						
C415		nsp	OA10701020	C,ELECT GE 85C	100µF-M/10V,5*11-5RE	D040101082060
C417		nsp	DK96104300	C,CERAMIC CHIP HIK	0.1µF-K/50V-1608REEL	D011104577160
C418		nsp	DK96104300	C,CERAMIC CHIP HIK	0.1µF-K/50V-1608REEL	D011104577160
C419		nsp	OA22505020	C,ELECT GE 85C	2.2µF-M/50V,5*11-5RE	D0402R2087100
C423		nsp	OA10603540	C,ELECT GE 85C	10µF-M/35V,5*11-5RE SY	D040100085050
C424		nsp	DK96104300	C,CERAMIC CHIP HIK	0.1µF-K/50V-1608REEL	D011104577160
C425		nsp	OA10603540	C,ELECT GE 85C	10µF-M/35V,5*11-5RE SY	D040100085050
C426		nsp	DK96104300	C,CERAMIC CHIP HIK	0.1µF-K/50V-1608REEL	D011104577160
C427		nsp	OA22701020	C,ELECT GE 85C	220µF-M/6.3V,6.3*11-5RE-SMS SY	D040221081050
C428		nsp	DK96104300	C,CERAMIC CHIP HIK	0.1µF-K/50V-1608REEL	D011104577160
C430		nsp	OA10603540	C,ELECT GE 85C	10µF-M/35V,5*11-5RE SY	D040100085050
C431		nsp	OA10603540	C,ELECT GE 85C	10µF-M/35V,5*11-5RE SY	D040100085050
C432		nsp	DD95180300	C,CERAMIC CHIP T.C	18pF-J/50V-1608REEL	D010180167160
C433		nsp	DD95200300	C,CERAMIC CHIP T.C	20pF-J/50V-1608REEL	D010200167160
C434		nsp	DK96104300	C,CERAMIC CHIP HIK	0.1µF-K/50V-1608REEL	D011104577160
C435		nsp	DK96104300	C,CERAMIC CHIP HIK	0.1µF-K/50V-1608REEL	D011104577160
C436		nsp	DK96104300	C,CERAMIC CHIP HIK	0.1µF-K/50V-1608REEL	D011104577160
C438		nsp	OA10603540	C,ELECT GE 85C	10µF-M/35V,5*11-5RE SY	D040100085050
C439		nsp	DK96104300	C,CERAMIC CHIP HIK	0.1µF-K/50V-1608REEL	D011104577160
C440		nsp	DK96103300	C,CERAMIC CHIP HIK	0.01µF-K/50V-1608REEL	D011103777160

NOTE : *nsp* PART IS LISTED FOR REFERENCE ONLY, MARANTZ WILL NOT SUPPLY THESE PARTS.

POS. NO	VERS. COLOR	PART NO. (FOR EUR)	PART NO. (MJI)	DESCRIPTION		
C441		nsp	OA22505020	C,ELECT GE 85C	2.2µF-M/50V,5*11-5RE	D0402R2087100
C442		nsp	DD95101300	C,CERAMIC CHIP T.C	100pF-J/50V-1608REEL	D010101167160
C443		nsp	OA47601640	C,ELECT GE 85C	47µF-M/16V,5*11-5RE.SY	D040470083080
C446		nsp	DD95101300	C,CERAMIC CHIP T.C	100pF-J/50V-1608REEL	D010101167160
C449		nsp	DD95101300	C,CERAMIC CHIP T.C	100pF-J/50V-1608REEL	D010101167160
C451		nsp	OA10505020	C,ELECT GE 85C	1µF-M/50V,5*11-5RE	D040010087050
C452		nsp	DK96104300	C,CERAMIC CHIP HIK	0.1µF-K/50V-1608REEL	D011104577160
C455		nsp	DK96102300	C,CERAMIC CHIP HIK	1000pF-K/50V-1608REEL	D011102777160
C456		nsp	DD95101300	C,CERAMIC CHIP T.C	100pF-J/50V-1608REEL	D010101167160
C457		nsp	DK96104300	C,CERAMIC CHIP HIK	0.1µF-K/50V-1608REEL	D011104577160
C458		nsp	OA10603540	C,ELECT GE 85C	10µF-M/35V,5*11-5RE SY	D040100085050
C459		nsp	DD95101300	C,CERAMIC CHIP T.C	100pF-J/50V-1608REEL	D010101167160
C460		nsp	OA10603540	C,ELECT GE 85C	10µF-M/35V,5*11-5RE SY	D040100085050
C461		nsp	DD95101300	C,CERAMIC CHIP T.C	100pF-J/50V-1608REEL	D010101167160
C462		nsp	DD95101300	C,CERAMIC CHIP T.C	100pF-J/50V-1608REEL	D010101167160
C463		nsp	DK96104300	C,CERAMIC CHIP HIK	0.1µF-K/50V-1608REEL	D011104577160
C464		nsp	DD95471300	C,CERAMIC CHIP T.C	470pF-J/50V-1608REEL	D010471167160
C465		nsp	OA47505020	C,ELECT GE 85C	4.7µF-M/50V,5*11-5RE.SY	D0404R7087250
C466		nsp	DD95471300	C,CERAMIC CHIP T.C	470pF-J/50V-1608REEL	D010471167160
C467		nsp	DD95101300	C,CERAMIC CHIP T.C	100pF-J/50V-1608REEL	D010101167160
C468		nsp	OA10405020	C,ELECT GE 85C	0.1µF-M/50V,5*11-5RE.SY	D040R10087070
C469		nsp	DK96103300	C,CERAMIC CHIP HIK	0.01µF-K/50V-1608REEL	D011103777160
C470		nsp	DD95101300	C,CERAMIC CHIP T.C	100pF-J/50V-1608REEL	D010101167160
C471		nsp	OA10603540	C,ELECT GE 85C	10µF-M/35V,5*11-5RE SY	D040100085050
C472		nsp	DD95101300	C,CERAMIC CHIP T.C	100pF-J/50V-1608REEL	D010101167160
C473		nsp	OA10603540	C,ELECT GE 85C	10µF-M/35V,5*11-5RE SY	D040100085050
C475		nsp	OA10603540	C,ELECT GE 85C	10µF-M/35V,5*11-5RE SY	D040100085050
C476		nsp	OA10603540	C,ELECT GE 85C	10µF-M/35V,5*11-5RE SY	D040100085050
C481		nsp	DK96104300	C,CERAMIC CHIP HIK	0.1µF-K/50V-1608REEL	D011104577160
C483		nsp	OA10603540	C,ELECT GE 85C	10µF-M/35V,5*11-5RE SY	D040100085050
C484		nsp	OA10603540	C,ELECT GE 85C	10µF-M/35V,5*11-5RE SY	D040100085050
C486		*EX000070R	*EX000070R	C,DOUBLE LAYER(70)	IF/5.5V 5*20	D090105000010
C487		nsp	DD95270300	C,CERAMIC CHIP T.C	27pF-J/50V-1608REEL	D010270167160
C489		nsp	OA47602520	C,ELECT GE 85C	47µF-M/25V 5*11-5RE.SY	D040470084070
C491		nsp	DD95270300	C,CERAMIC CHIP T.C	27pF-J/50V-1608REEL	D010270167160
C498		nsp	DD95101300	C,CERAMIC CHIP T.C	100pF-J/50V-1608REEL	D010101167160
C499		nsp	DD95101300	C,CERAMIC CHIP T.C	100pF-J/50V-1608REEL	D010101167160
C500		nsp	DD95101300	C,CERAMIC CHIP T.C	100pF-J/50V-1608REEL	D010101167160
C501		nsp	DD95471300	C,CERAMIC CHIP T.C	470pF-J/50V-1608REEL	D010471167160
CN101		nsp	nsp	CN,ASSY 2.5MM BD-PLG	260MM/6P B2513-6=A2505-6	N621506261630
CN102		nsp	nsp	CN,ASSY 2.5MM BD-PLG	200MM/7P B2513-7=A2505-7	N621507201630
CN103		nsp	nsp	CN,ASSY 2.5MM BD-PLG	260MM/5P B2513-5=A2505-5	N621505261630
CN104		nsp	nsp	CN,WIRE	380MM/2P A2505-03=B2513-03	L000381020040
CN602		nsp	nsp	CN,WIRE	120MM 9P A2004-9=B2011-09	L000121090010
CN603		nsp	nsp	CN,WIRE	80/3P A2004-03=B2011-03	L000800030060
CP402		nsp	nsp	CN,WAFER 2.0MM	53014-0910 9P	L101530140910
CP403		nsp	nsp	CN,WAFER 2.0MM	53014-0910 9P	L101530140910
CP404		nsp	nsp	CN,FPC 1.25MM	SCB 1117-00 17P ST	L131111700010
CP405		nsp	nsp	CN,WAFER 2.0MM	53014-0310 3P	L101530140310
D401		*HZ200180R	*HZ200180R	D,SWITCHING CHIP	1N4148WS/BAV16WS SMD	K005041480010
D402		nsp	*HD201720R	D,SWITCHING	1N4148-52RE 75V 150MA DO-34	K000414803520
D403		nsp	*HD201720R	D,SWITCHING	1N4148-52RE 75V 150MA DO-34	K000414803520
D404		*HZ200180R	*HZ200180R	D,SWITCHING CHIP	1N4148WS/BAV16WS SMD	K005041480010
D405		nsp	*HD201720R	D,SWITCHING	1N4148-52RE 75V 150MA DO-34	K000414803520
D406		nsp	*HD201720R	D,SWITCHING	1N4148-52RE 75V 150MA DO-34	K000414803520
IC101		*HC108270R	*HC108270R	IC,LINEAR POWER	DDX-2100 DIGITAL HIGH POWER	J122210000010
IC102		*HC108260R	*HC108260R	IC,AUDIO PROCESSOR	DDX-4100A MULTI CH DIGITAL	J085410000010
IC103		*HC108270R	*HC108270R	IC,LINEAR POWER	DDX-2100 DIGITAL HIGH POWER	J122210000010
IC104		*HC108260R	*HC108260R	IC,AUDIO PROCESSOR	DDX-4100A MULTI CH DIGITAL	J085410000010
IC105		*HC108270R	*HC108270R	IC,LINEAR POWER	DDX-2100 DIGITAL HIGH POWER	J122210000010
IC107		*HC108230R	*HC108230R	IC,LOGIC-D/A CONVER	CS4334-KS 24BIT.96K STEREO DAC	J042433400010

NOTE : *nsp* PART IS LISTED FOR REFERENCE ONLY, MARANTZ WILL NOT SUPPLY THESE PARTS.

POS. NO	VERS. COLOR	PART NO. (FOR EUR)	PART NO. (MJI)	DESCRIPTION		
IC403		*HC107300R	*HC107300R	IC, MEMORY-EEPROM	M27W201-80B6 2M 80NANO PDIP32	J000272010010
IC404		*HC700360R	*HC700360R	IC, LOGIC	MM74LCX574WMX LOWVOLT DUAL	J040745740050
IC405		*HC108240R	*HC108240R	IC, ANALOG	AK4586VQ MULTI CH AUDIO CODEC	J080458600010
IC407		*HC700360R	*HC700360R	IC, LOGIC	MM74LCX574WMX LOWVOLT DUAL	J040745740050
IC408		*HC108250R	*HC108250R	IC, ANALOG	CS493263-CL AUDIO DECODER	J080493260030
IC410		*HC700350R	*HC700350R	IC, LOGIC	MM74HCT244WMX OCTAL 3STATE	J040742440160
IC411		HC10228030	HC10228030	IC, LOGIC	LC7821-DIP30P(LOW NOISE)	J040782100010
IC412		*HC400040R	*HC400040R	IC, LINEAR OP	BA4558F-E2/SOP8P	J121455800140
IC413		*HC700450R	*HC700450R	IC, LOGIC	MM74LCX244WMX LOWVOLT BUFFER	J040742440150
IC414		*HU100640R	*HU100640R	IC, CPU MICRO PROCESS	CXP82840-351Q QFP100 DWP-592 PS110	J020828403510
IC416		*HC108280R	*HC108280R	IC, LINEAR-REGULATOR	RC1117-3.3 SOT223 3.3V 1AMP	J126111733020
IC417		*HC108280R	*HC108280R	IC, LINEAR-REGULATOR	RC1117-2.5 SOT223 2.5V 1AMP	J126111725020
JACK101		*YT003010R	*YT003010R	TER, BOARD PUSH 6P	SP 6P, P80620731P(R/B)	G596040340000
JACK102		*YT002490R	*YT002490R	TER, BOARD PUSH 4P	P80420771P	G594040470000
JACK401		*YT003050R	*YT003050R	CINCH PIN 4PIN	JE040D606N(GND),2048540009	G602040600010
JACK402		*YT003050R	*YT003050R	CINCH PIN 4PIN	JE040D606N(GND),2048540009	G602040600010
L101						
}		nsp	nsp	COIL, CHOKE	DR7.8*8 15UH 8080PH-07-150L	D300780000010
L104						
L105		*FC900290R	*FC900290R	BEAD, COIL CHIP	HB-IT2012-121JT 2012REEL	7611010000020
L106						
}		nsp	nsp	COIL, CHOKE	DR7.8*8 15UH 8080PH-07-150L	D300780000010
L110						
L111		*FC900290R	*FC900290R	BEAD, COIL CHIP	HB-IT2012-121JT 2012REEL	7611010000020
L112		nsp	nsp	COIL, CHOKE	DR7.8*8 15UH 8080PH-07-150L	D300780000010
L113		*FC900290R	*FC900290R	BEAD, COIL CHIP	HB-IT2012-121JT 2012REEL	7611010000020
L114		nsp	nsp	COIL, FILTER-INDUCTOR	4.7UH-Q50/56M-R1.7-5REEL	D3304R7000150
L115		nsp	nsp	COIL, FILTER-INDUCTOR	4.7UH-Q50/56M-R1.7-5REEL	D3304R7000150
L116		*FC900290R	*FC900290R	BEAD, COIL CHIP	HB-IT2012-121JT 2012REEL	7611010000020
L117		nsp	nsp	COIL, CHOKE	DR7.8*8 15UH 8080PH-07-150L	D300780000010
L403						
}		*FC900290R	*FC900290R	BEAD, COIL CHIP	HB-IT2012-121JT 2012REEL	7611010000020
L415						
Q406		BA10005210	BA10005210	TRS, CHIP/PNP 2SA	DTA114YK(54) 0.2W/SMT-REEL	J5200114Y0210
Q407		BA20005210	BA20005210	TRS, CHIP/NPN 2SC	DTC114EK(24),0.2W/SMT-REEL	J5220114E0210
Q409		BA20007210	BA20007210	TRS, CHIP/NPN 2SC	DTC114YK (64),0.2W/SMT-REEL	J5220114Y0210
Q410		BA10023210	BA10023210	TRS, CHIP/PNP 2SA	DTA114EK(14) 0.2W/SMT-REEL	J5200114E0210
Q411		BA20005210	BA20005210	TRS, CHIP/NPN 2SC	DTC114EK(24),0.2W/SMT-REEL	J5220114E0210
Q412		BA10023210	BA10023210	TRS, CHIP/PNP 2SA	DTA114EK(14) 0.2W/SMT-REEL	J5200114E0210
Q413		BA20005210	BA20005210	TRS, CHIP/NPN 2SC	DTC114EK(24),0.2W/SMT-REEL	J5220114E0210
Q414		BA10023210	BA10023210	TRS, CHIP/PNP 2SA	DTA114EK(14) 0.2W/SMT-REEL	J5200114E0210
Q415		BA10001210	BA10001210	TRS, CHIP/PNP 2SA	DTA114TK(94) 0.2W/SMT-REEL	J5200114T0210
R107		*NX000010R	*NX000010R	R, CHIP THICK	4.7-J, 1/4W-3216REEL	C2004R7006330
R108		*NX000010R	*NX000010R	R, CHIP THICK	4.7-J, 1/4W-3216REEL	C2004R7006330
R109		nsp	*NN000530R	R, CHIP THICK	20-J, 1/4W-3216REEL	C200020006330
R110		nsp	NN05103610	R, CHIP THICK	10K-J, 1/16W-1608REEL	C20001036M160
R111		nsp	NN05103610	R, CHIP THICK	10K-J, 1/16W-1608REEL	C20001036M160
R112		nsp	NN05103610	R, CHIP THICK	10K-J, 1/16W-1608REEL	C20001036M160
R113		*NX000010R	*NX000010R	R, CHIP THICK	4.7-J, 1/4W-3216REEL	C2004R7006330
R114		*NX000010R	*NX000010R	R, CHIP THICK	4.7-J, 1/4W-3216REEL	C2004R7006330
R115		nsp	*NN000530R	R, CHIP THICK	20-J, 1/4W-3216REEL	C200020006330
R116		nsp	NN05101610	R, CHIP THICK	100-J, 1/16W-1608REEL	C20001016M160
R117		nsp	NN05101610	R, CHIP THICK	100-J, 1/16W-1608REEL	C20001016M160
R118		*NX000010R	*NX000010R	R, CHIP THICK	4.7-J, 1/4W-3216REEL	C2004R7006330
R119		*NX000010R	*NX000010R	R, CHIP THICK	4.7-J, 1/4W-3216REEL	C2004R7006330
R120		nsp	*NN000530R	R, CHIP THICK	20-J, 1/4W-3216REEL	C200020006330
R121						
}		nsp	NN05103610	R, CHIP THICK	10K-J, 1/16W-1608REEL	C20001036M160
R124						
R125		*NX000010R	*NX000010R	R, CHIP THICK	4.7-J, 1/4W-3216REEL	C2004R7006330
R126		*NX000010R	*NX000010R	R, CHIP THICK	4.7-J, 1/4W-3216REEL	C2004R7006330

NOTE : *nsp* PART IS LISTED FOR REFERENCE ONLY, MARANTZ WILL NOT SUPPLY THESE PARTS.

POS. NO	VERS. COLOR	PART NO. (FOR EUR)	PART NO. (MJI)	DESCRIPTION		
R127		nsp	*NN000530R	R,CHIP THICK	20-J,1/4W-3216REEL	C200020006330
R128		nsp	NN05101610	R,CHIP THICK	100-J,1/16W-1608REEL	C20001016M160
R129		*NX000010R	*NX000010R	R,CHIP THICK	4.7-J,1/4W-3216REEL	C2004R7006330
R130		*NX000010R	*NX000010R	R,CHIP THICK	4.7-J,1/4W-3216REEL	C2004R7006330
R131		nsp	*NN000530R	R,CHIP THICK	20-J,1/4W-3216REEL	C200020006330
R132		nsp	NN05103610	R,CHIP THICK	10K-J,1/16W-1608REEL	C20001036M160
R133		nsp	NN05103610	R,CHIP THICK	10K-J,1/16W-1608REEL	C20001036M160
R134		nsp	NN05103610	R,CHIP THICK	10K-J,1/16W-1608REEL	C20001036M160
R135		nsp	NN05101610	R,CHIP THICK	100-J,1/16W-1608REEL	C20001016M160
R137		nsp	NN05103610	R,CHIP THICK	10K-J,1/16W-1608REEL	C20001036M160
R139		nsp	NN05105610	R,CHIP THICK	1M-J,1/16W-1608REEL	C20001056M160
R429		nsp	NN05103610	R,CHIP THICK	10K-J,1/16W-1608REEL	C20001036M160
R430		nsp	NN05183610	R,CHIP THICK	18K-J,1/16W-1608REEL	C20001836M160
R431		nsp	NN05103610	R,CHIP THICK	10K-J,1/16W-1608REEL	C20001036M160
R432		nsp	NN05103610	R,CHIP THICK	10K-J,1/16W-1608REEL	C20001036M160
R433		nsp	NN05103610	R,CHIP THICK	10K-J,1/16W-1608REEL	C20001036M160
R436		nsp	NN05330610	R,CHIP THICK	33-J,1/16W-1608REEL	C20003306M160
R437		nsp	NN05330610	R,CHIP THICK	33-J,1/16W-1608REEL	C20003306M160
R438		nsp	NN05103610	R,CHIP THICK	10K-J,1/16W-1608REEL	C20001036M160
R439		nsp	NN05103610	R,CHIP THICK	10K-J,1/16W-1608REEL	C20001036M160
R440		nsp	NN05105610	R,CHIP THICK	1M-J,1/16W-1608REEL	C20001056M160
R441		nsp	NN05330610	R,CHIP THICK	33-J,1/16W-1608REEL	C20003306M160
R442		nsp	NN05472610	R,CHIP THICK	4.7K-J,1/16W-1608REEL	C20004726M160
R443		nsp	NN05472610	R,CHIP THICK	4.7K-J,1/16W-1608REEL	C20004726M160
R445		nsp	NN05471610	R,CHIP THICK	470-J,1/16W-1608REEL	C20004716M160
R449		nsp	NN05224610	R,CHIP THICK	220K-J,1/16W-1608REEL	C20002246M160
R452		nsp	NN05224610	R,CHIP THICK	220K-J,1/16W-1608REEL	C20002246M160
R453		nsp	NN05103610	R,CHIP THICK	10K-J,1/16W-1608REEL	C20001036M160
R454		nsp	NN05471610	R,CHIP THICK	470-J,1/16W-1608REEL	C20004716M160
R455		nsp	NN05330610	R,CHIP THICK	33-J,1/16W-1608REEL	C20003306M160
R456		nsp	NN05471610	R,CHIP THICK	470-J,1/16W-1608REEL	C20004716M160
R457						
∫		nsp	NN05103610	R,CHIP THICK	10K-J,1/16W-1608REEL	C20001036M160
R464						
R466		nsp	NN05330610	R,CHIP THICK	33-J,1/16W-1608REEL	C20003306M160
R469		nsp	NN05224610	R,CHIP THICK	220K-J,1/16W-1608REEL	C20002246M160
R470		nsp	NN05103610	R,CHIP THICK	10K-J,1/16W-1608REEL	C20001036M160
R472		nsp	NN05103610	R,CHIP THICK	10K-J,1/16W-1608REEL	C20001036M160
R475		nsp	NN05103610	R,CHIP THICK	10K-J,1/16W-1608REEL	C20001036M160
R476		nsp	NN05224610	R,CHIP THICK	220K-J,1/16W-1608REEL	C20002246M160
R477		nsp	NN05103610	R,CHIP THICK	10K-J,1/16W-1608REEL	C20001036M160
R479		nsp	NN05471610	R,CHIP THICK	470-J,1/16W-1608REEL	C20004716M160
R481		nsp	NN05471610	R,CHIP THICK	470-J,1/16W-1608REEL	C20004716M160
R482		nsp	NN05471610	R,CHIP THICK	470-J,1/16W-1608REEL	C20004716M160
R483		nsp	NN05331610	R,CHIP THICK	330-J,1/16W-1608REEL	C20003316M160
R484		nsp	NN05224610	R,CHIP THICK	220K-J,1/16W-1608REEL	C20002246M160
R485		nsp	NN05224610	R,CHIP THICK	220K-J,1/16W-1608REEL	C20002246M160
R486		nsp	NN05471610	R,CHIP THICK	470-J,1/16W-1608REEL	C20004716M160
R487		nsp	NN05331610	R,CHIP THICK	330-J,1/16W-1608REEL	C20003316M160
R488		nsp	NN05104610	R,CHIP THICK	100K-J,1/16W-1608REEL	C20001046M160
R489		nsp	NN05104610	R,CHIP THICK	100K-J,1/16W-1608REEL	C20001046M160
R490		nsp	NN05471610	R,CHIP THICK	470-J,1/16W-1608REEL	C20004716M160
R491		nsp	NN05224610	R,CHIP THICK	220K-J,1/16W-1608REEL	C20002246M160
R492		nsp	NN05104610	R,CHIP THICK	100K-J,1/16W-1608REEL	C20001046M160
R493		nsp	NN05331610	R,CHIP THICK	330-J,1/16W-1608REEL	C20003316M160
R494		nsp	NN05104610	R,CHIP THICK	100K-J,1/16W-1608REEL	C20001046M160
R495		nsp	NN05105610	R,CHIP THICK	1M-J,1/16W-1608REEL	C20001056M160
R496		nsp	NN05104610	R,CHIP THICK	100K-J,1/16W-1608REEL	C20001046M160
R497		nsp	NN05224610	R,CHIP THICK	220K-J,1/16W-1608REEL	C20002246M160
R498		nsp	NN05471610	R,CHIP THICK	470-J,1/16W-1608REEL	C20004716M160
R499		nsp	NN05471610	R,CHIP THICK	470-J,1/16W-1608REEL	C20004716M160


NOTE : *nsp* PART IS LISTED FOR REFERENCE ONLY, MARANTZ WILL NOT SUPPLY THESE PARTS.

POS. NO	VERS. COLOR	PART NO. (FOR EUR)	PART NO. (MJI)	DESCRIPTION		
C502		nsp	DK96272300	C,CERAMIC CHIP HIK	2700pF-K/50V-1608REEL	D011272777160
C503		nsp	DK96332300	C,CERAMIC CHIP HIK	3300pF-K/50V-1608REEL	D011332777160
C504		nsp	DK98104300	C,CERAMIC CHIP HIK	0.1µF-Z/50V-1608REEL	D011104597160
C505		nsp	DK98104300	C,CERAMIC CHIP HIK	0.1µF-Z/50V-1608REEL	D011104597160
C506		nsp	DK98104300	C,CERAMIC CHIP HIK	0.1µF-Z/50V-1608REEL	D011104597160
C507						
ς		nsp	OA10505020	C,ELECT GE 85C	1µF-M/50V,5*11-5RE	D040010087050
C510						
C601		nsp	OA47601050	C,ELECT GE 85C	47µF-M/10V,5*11-5RE SY	D040470082050
C602		nsp	DK98104300	C,CERAMIC CHIP HIK	0.1µF-Z/50V-1608REEL	D011104597160
C603		nsp	DD95220300	C,CERAMIC CHIP T.C	22pF-J/50V-1608REEL	D010220167160
C604		nsp	OA47601050	C,ELECT GE 85C	47µF-M/10V,5*11-5RE SY	D040470082050
C605		nsp	DK98104300	C,CERAMIC CHIP HIK	0.1µF-Z/50V-1608REEL	D011104597160
C606		nsp	OA10405020	C,ELECT GE 85C	0.1µF-M/50V,5*11-5RE.SY	D040R10087070
C607		nsp	DD95220300	C,CERAMIC CHIP T.C	22pF-J/50V-1608REEL	D010220167160
C608		nsp	DK98104300	C,CERAMIC CHIP HIK	0.1µF-Z/50V-1608REEL	D011104597160
C609		nsp	DD95220300	C,CERAMIC CHIP T.C	22pF-J/50V-1608REEL	D010220167160
C611		nsp	OA10405020	C,ELECT GE 85C	0.1µF-M/50V,5*11-5RE.SY	D040R10087070
C612		nsp	DD95220300	C,CERAMIC CHIP T.C	22pF-J/50V-1608REEL	D010220167160
C613		nsp	DK98104300	C,CERAMIC CHIP HIK	0.1µF-Z/50V-1608REEL	D011104597160
C614		nsp	DD95220300	C,CERAMIC CHIP T.C	22pF-J/50V-1608REEL	D010220167160
C616		nsp	DK98104300	C,CERAMIC CHIP HIK	0.1µF-Z/50V-1608REEL	D011104597160
CN601		nsp	nsp	CN,ASSY 2MM BD-PLG	80MM/9P A2004-09=B2011-09	N611509081330
CP401		nsp	nsp	CN,WAFER 2.0MM	53015-0310 3P ANGLE	L101530150310
D407		nsp	*HD201720R	D,SWITCHING	1N4148-52RE 75V 150MA DO-34	K000414803520
D408		nsp	*HD201720R	D,SWITCHING	1N4148-52RE 75V 150MA DO-34	K000414803520
D410		nsp	*HD201720R	D,SWITCHING	1N4148-52RE 75V 150MA DO-34	K000414803520
D601		nsp	*HD201720R	D,SWITCHING	1N4148-52RE 75V 150MA DO-34	K000414803520
D602		nsp	*HD201720R	D,SWITCHING	1N4148-52RE 75V 150MA DO-34	K000414803520
IC401		HC10045090	HC10045090	IC,LINEAR OP	NJM4556AM HEADPHONE AMP	J121455600010
IC402		*HC400040R	*HC400040R	IC,LINEAR OP	BA4558F-E2/SOP8P	J121455800140
IC409		*HC400040R	*HC400040R	IC,LINEAR OP	BA4558F-E2/SOP8P	J121455800140
IC601		*YT002570R	*YT002570R	MODULE	GP1FA502RZ OPTICAL RCVR 96KHZ	E100150200020
IC602		HC700411Y0	HC700411Y0	IC,LOGIC	74VHCU04 SOP14 /HEX INVERTER	J040740400260
JACK601		*YT003040R	*YT003040R	CINCH PIN 2PIN	JE020163QN (H,H)	G601020163060
JACK602		*YT003030R	*YT003030R	CINCH PIN 2PIN	R-756 JE020163EN,(B,B,NI)	G601020163030
JACK603		*YT003020R	*YT003020R	CINCH PIN 1PIN	JC010127CN	G600101270060
L401		nsp	nsp	COIL,FILTER-INDUCTOR	100UH-Q40/9M-R12-52RE 02TB	D330101001020
L402		nsp	nsp	COIL,FILTER-INDUCTOR	100UH-Q40/9M-R12-52RE 02TB	D330101001020
L601		nsp	nsp	COIL,FILTER-INDUCTOR	4.7UH-Q50/56M-R1.7-5REEL	D3304R7000150
L602		nsp	nsp	COIL,FILTER-INDUCTOR	4.7UH-Q50/56M-R1.7-5REEL	D3304R7000150
L603		nsp	nsp	COIL,FILTER-INDUCTOR	2.2UH-Q50/110M-R1.2-5REEL	D3302R2000150
L604		nsp	nsp	COIL,FILTER-INDUCTOR	2.2UH-Q50/110M-R1.2-5REEL	D3302R2000150
L605		nsp	nsp	COIL,FILTER-INDUCTOR	4.7UH-Q50/56M-R1.7-5REEL	D3304R7000150
Q405		*HT300870R	*HT300870R	TRS.CHIP/NPN 2SC	KTC2875B(MB) 0.15W/LOW-ON-RES	J5222875B0010
Q408		BA10023210	BA10023210	TRS.CHIP/PNP 2SA	DTA114EK(14) 0.2W/SMT-REEL	J5200114E0210
Q420		*HT300870R	*HT300870R	TRS.CHIP/NPN 2SC	KTC2875B(MB) 0.15W/LOW-ON-RES	J5222875B0010
Q421		*HT300870R	*HT300870R	TRS.CHIP/NPN 2SC	KTC2875B(MB) 0.15W/LOW-ON-RES	J5222875B0010
Q422		*BA001360R	*BA001360R	SEMI,BRT/NPN RC	DTC114YS,0.3W/TO92M-REEL	J6020114Y0050
R402		nsp	NN05472610	R,CHIP THICK	4.7K-J,1/16W-1608REEL	C20004726M160
R404		nsp	NN05390610	R,CHIP THICK	39-J,1/16W-1608REEL	C20003906M160
R405		nsp	NN05473610	R,CHIP THICK	47K-J,1/16W-1608REEL	C20004736M160
R406		nsp	NN05102610	R,CHIP THICK	1K-J,1/16W-1608REEL	C20001026M160
R407		nsp	NN05472610	R,CHIP THICK	4.7K-J,1/16W-1608REEL	C20004726M160
R408		nsp	NN05472610	R,CHIP THICK	4.7K-J,1/16W-1608REEL	C20004726M160
R409		nsp	NN05472610	R,CHIP THICK	4.7K-J,1/16W-1608REEL	C20004726M160
R410		nsp	NN05471610	R,CHIP THICK	470-J,1/16W-1608REEL	C20004716M160
R411		nsp	NN05472610	R,CHIP THICK	4.7K-J,1/16W-1608REEL	C20004726M160
R412		nsp	NN05471610	R,CHIP THICK	470-J,1/16W-1608REEL	C20004716M160
R413		nsp	NN05104610	R,CHIP THICK	100K-J,1/16W-1608REEL	C20001046M160
R416		nsp	NN05472610	R,CHIP THICK	4.7K-J,1/16W-1608REEL	C20004726M160

NOTE : *nsp* PART IS LISTED FOR REFERENCE ONLY, MARANTZ WILL NOT SUPPLY THESE PARTS.

POS. NO	VERS. COLOR	PART NO. (FOR EUR)	PART NO. (MJI)	DESCRIPTION		
C311		nsp	DK96104300	C,CERAMIC CHIP HIK	0.1µF-K/50V-1608REEL	D011104577160
C312		nsp	DD95101300	C,CERAMIC CHIP T.C	100pF-J/50V-1608REEL	D010101167160
C313		nsp	EJ10505010	C,ELECT GE 85C	1µF-M/50V,3*5-5RE SY	D040010087070
C314		nsp	DK98473300	C,CERAMIC CHIP HIK	0.047µF-Z/50V-1608REEL	D011473597160
C315		nsp	DK96104300	C,CERAMIC CHIP HIK	0.1µF-K/50V-1608REEL	D011104577160
C316		nsp	EJ47602510	C,ELECT GE 85C	47µF-M/25V,6.3*7-5RE	D040470084060
C317		nsp	DD95101300	C,CERAMIC CHIP T.C	100pF-J/50V-1608REEL	D010101167160
C318		nsp	DK96221300	C,CERAMIC CHIP T.C	220pF-J/50V-1608REEL	D010221167160
C319		nsp	DK96221300	C,CERAMIC CHIP T.C	220pF-J/50V-1608REEL	D010221167160
C320		nsp	DK96221300	C,CERAMIC CHIP T.C	220pF-J/50V-1608REEL	D010221167160
C321		nsp	DD95101300	C,CERAMIC CHIP T.C	100pF-J/50V-1608REEL	D010101167160
C322		nsp	DK98473300	C,CERAMIC CHIP HIK	0.047µF-Z/50V-1608REEL	D011473597160
C323		nsp	EJ10505010	C,ELECT GE 85C	1µF-M/50V,3*5-5RE SY	D040010087070
C324		nsp	DK96104300	C,CERAMIC CHIP HIK	0.1µF-K/50V-1608REEL	D011104577160
C325		nsp	DK96221300	C,CERAMIC CHIP T.C	220pF-J/50V-1608REEL	D010221167160
CN301		nsp	nsp	CN,WIRE	460MM 3P A2004-03=B2011-03(AN)	L000461030010
CN302		nsp	nsp	CN,WIRE	60MM/3P 9073-03(AN)	L000600030030
CP301		nsp	nsp	CN.FPC 1.25MM	SCB 1017-00 17P AN	L131101700010
CP302		nsp	nsp	CN.WAFER 2.5MM	5268-03A 3P ANGLE	L102526803010
D301		*HZ200180R	*HZ200180R	D,SWITCHING CHIP	1N4148WS/BAV16WS SMD	K005041480010
D302		*HZ200180R	*HZ200180R	D,SWITCHING CHIP	1N4148WS/BAV16WS SMD	K005041480010
D303		*HZ200180R	*HZ200180R	D,SWITCHING CHIP	1N4148WS/BAV16WS SMD	K005041480010
D304		*HZ200180R	*HZ200180R	D,SWITCHING CHIP	1N4148WS/BAV16WS SMD	K005041480010
D307		*HD301620R	*HD301620R	D,ZENER	MTZJ6.8B-0.5W/5MA-52MM	K06006R844520
IC301		*HC107180R	*HC107180R	IC,LINEAR-DRIVER	M66005FP-SOP64P /FL DRIVER	J127660050010
IR301		*HW100520R	*HW100520R	MODULE,REMOCON	NJL64H380A	E940643800000
J301						
§		nsp	nsp	CN,WIRE 1P	JUMPER (0.6/52MM)	L045084006040
J304						
JACK501		*YT002500R	*YT002500R	JACK,D3.5	HTJ035-18AB(G)	G401035180010
L301		nsp	nsp	COIL,FILTER-INDUCTOR	10UH-Q40/24M-R2.5-52RE 02TB	D330100700520
LED301		*HI100970R	*HI100970R	LED,ROUND	HL-50CDG (MAN,5PI,P=2.5)	K500000020010
LED302		*HI100970R	*HI100970R	LED,ROUND	HL-50CDG (MAN,5PI,P=2.5)	K500000020010
LED303		*HI100980R	*HI100980R	LED,ROUND	PI5-RD,GR/HLD50RG,DUAL	K500052003090
Q301		BA20005210	BA20005210	TRS.CHIP/NPN 2SC	KRC102S (NB) 0.2W/SOT-23 REEL	J522010200210
Q302		BA20005210	BA20005210	TRS.CHIP/NPN 2SC	KRC102S (NB) 0.2W/SOT-23 REEL	J522010200210
Q303		BA20005210	BA20005210	TRS.CHIP/NPN 2SC	KRC102S (NB) 0.2W/SOT-23 REEL	J522010200210
Q304						
§		*BA001230R	*BA001230R	TRS.CHIP/PNP 2SA	KRA102S(PB) 0.2W/SOT-23 REEL	J520010200210
Q307						
Q308						
§		*BA001160R	*BA001160R	TRS./GE NPN 2SC	TR CHIP KRC107S SOT23	J5020107S0050
Q311						
Q312		BA20005210	BA20005210	TRS.CHIP/NPN 2SC	KRC102S (NB) 0.2W/SOT-23 REEL	J522010200210
Q313		BA20005210	BA20005210	TRS.CHIP/NPN 2SC	KRC102S (NB) 0.2W/SOT-23 REEL	J522010200210
R332		nsp	NN05103610	R,CHIP THICK	10K-J,1/16W-1608REEL	C20001036M160
R333		nsp	NN05103610	R,CHIP THICK	10K-J,1/16W-1608REEL	C20001036M160
R334		nsp	NN05103610	R,CHIP THICK	10K-J,1/16W-1608REEL	C20001036M160
R336						
§		nsp	NN05102610	R,CHIP THICK	1K-J,1/16W-1608REEL	C20001026M160
R339						
R355		nsp	NN05103610	R,CHIP THICK	10K-J,1/16W-1608REEL	C20001036M160
R356						
§		nsp	NN05221610	R,CHIP THICK	220-J,1/16W-1608REEL	C20002216M160
R359						
R361		nsp	NN05103610	R,CHIP THICK	10K-J,1/16W-1608REEL	C20001036M160
R362		nsp	*NN000470R	R,CHIP THICK	2.4K-J,1/16W-1608REEL	C20002426M160
R363		nsp	NN05432610	R,CHIP THICK	4.3K-J,1/16W-1608REEL	C20004326M160
R364		nsp	NN05822610	R,CHIP THICK	8.2K-J,1/16W-1608REEL	C20008226M160
R365		nsp	*NN000520R	R,CHIP THICK	24K-J,1/16W-1608REEL	C20002436M160
R367		nsp	NN05103610	R,CHIP THICK	10K-J,1/16W-1608REEL	C20001036M160

NOTE : *nsp* PART IS LISTED FOR REFERENCE ONLY, MARANTZ WILL NOT SUPPLY THESE PARTS.

POS. NO	VERS. COLOR	PART NO. (FOR EUR)	PART NO. (MJI)	DESCRIPTION		
R368		nsp	*NN000470R	R,CHIP THICK	2.4K-J,1/16W-1608REEL	C20002426M160
R369		nsp	NN05432610	R,CHIP THICK	4.3K-J,1/16W-1608REEL	C20004326M160
R370		nsp	NN05822610	R,CHIP THICK	8.2K-J,1/16W-1608REEL	C20008226M160
R371		nsp	*NN000520R	R,CHIP THICK	24K-J,1/16W-1608REEL	C20002436M160
R372		nsp	NN05102610	R,CHIP THICK	1K-J,1/16W-1608REEL	C20001026M160
R373		nsp	NN05102610	R,CHIP THICK	1K-J,1/16W-1608REEL	C20001026M160
R374		nsp	NN05102610	R,CHIP THICK	1K-J,1/16W-1608REEL	C20001026M160
R375		nsp	NN05101610	R,CHIP THICK	100-J,1/16W-1608REEL	C20001016M160
R376		nsp	NN05273610	R,CHIP THICK	27K-J,1/16W-1608REEL	C20002736M160
R377		nsp	NN05472610	R,CHIP THICK	4.7K-J,1/16W-1608REEL	C20004726M160
R378		nsp	NN05470610	R,CHIP THICK	47-J,1/16W-1608REEL	C20004706M160
R379		nsp	NN05122610	R,CHIP THICK	1.2K-J,1/16W-1608REEL	C20001226M160
R380		nsp	NN05474610	R,CHIP THICK	470K-J,1/16W-1608REEL	C20004746M160
R381		nsp	NN05104610	R,CHIP THICK	100K-J,1/16W-1608REEL	C20001046M160
R382		nsp	nsp	R,FIXED,CARBON FILM	RD-T-1/6WJ-4.7 1.9*3.2 52REEL	N111112647910
R383		nsp	NN05104610	R,CHIP THICK	100K-J,1/16W-1608REEL	C20001046M160
R384		nsp	NN05104610	R,CHIP THICK	100K-J,1/16W-1608REEL	C20001046M160
SW301		*SP001220R	*SP001220R	SW,TACT	THHH582GAA /VERTICAL P=4.5	G180040520020
SW302						
}		*SP001140R	*SP001140R	SW,TACT	SKHV10920A,5MM/260G-REEL	G180000270010
SW305						
SW306		*SP001220R	*SP001220R	SW,TACT	THHH582GAA /VERTICAL P=4.5	G180040520020
SW307		*SP001140R	*SP001140R	SW,TACT	SKHV10920A,5MM/260G-REEL	G180000270010
SW308		*SP001220R	*SP001220R	SW,TACT	THHH582GAA /VERTICAL P=4.5	G180040520020
SW309		*SP001140R	*SP001140R	SW,TACT	SKHV10920A,5MM/260G-REEL	G180000270010
VOL301		*SR000230R	*SR000230R	SW,ENCODER	EC16B24T00C3ZZZ	G121162400010
VOL302		*SR000160R	*SR000160R	SW,ROTARY	EC11B20D2-ZZZ	G120112020010
				POWER SUPPLY(SMPS) PCB		
 F1		*FS001010R	*FS001010R	FUSE	T4AL/250V FUSE CARTRIDGE	G659402251010

NOTE : "nsp" PART IS LISTED FOR REFERENCE ONLY, MARANTZ WILL NOT SUPPLY THESE PARTS.